

# SubConn® Penetrator

## Water Blocked Right Angle

### Connector specifications

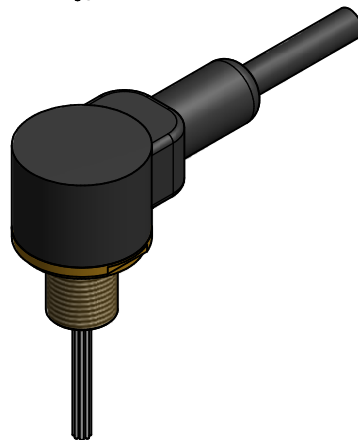
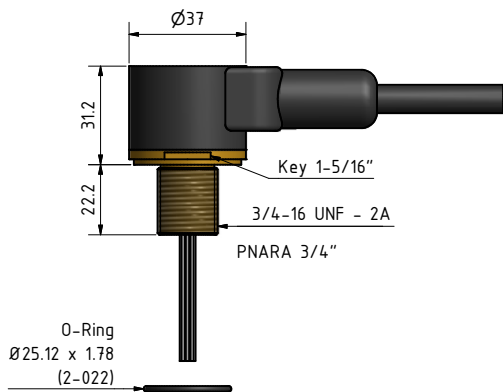
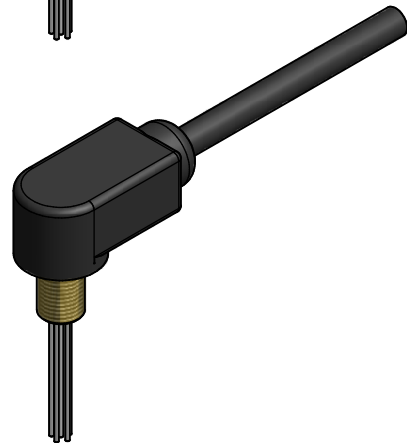
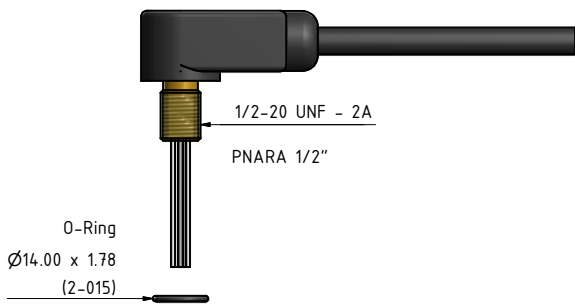
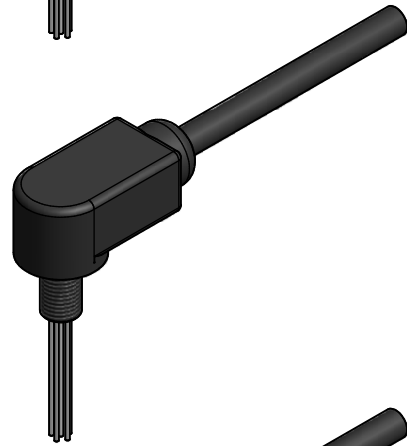
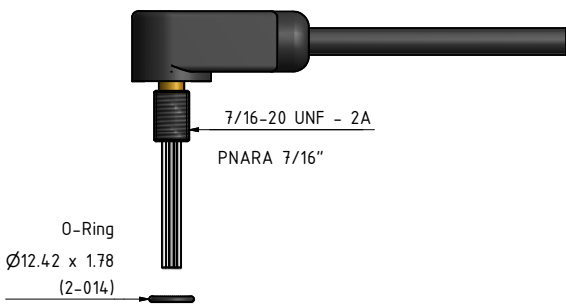
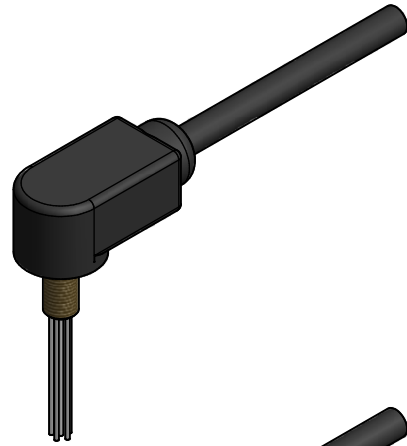
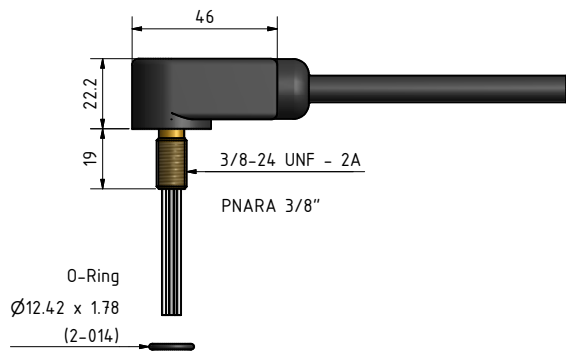
|                                  |                                     |
|----------------------------------|-------------------------------------|
| Voltage rating (all penetrators) | 300/600 V AC rms (depends on cable) |
| DC rating                        | 85% of above AC rating              |
| Current rating                   | Depends on wire and conductor size  |
| Insulation resistance            | > 200 Mohm                          |
| Temperature rating (water)       | - 4 to 60°C, - 25 to 140°F          |
| Temperature rating (air)         | - 40 to 60°C, - 40 to 140°F         |
| Storage temperature rating       | - 40 to 60°C, - 40 to 140°F         |
| Depth rating                     | 700 bar, 10,000 psi                 |

### Material specifications

|                                  |   |
|----------------------------------|---|
| Penetrator body                  | Chloroprene rubber  |
| Penetrator metal part            | Brass, stainless steel (other materials on request)                                     |
| Wire and conductor size          | 18 AWG, 0.82 mm <sup>2</sup> to 22 AWG, 0.33 mm <sup>2</sup> (depends on wire quantity) |
| Penetrator pigtail (30 cm, 1 ft) | PTFE  |
| Cable outside diameter           | Depends on penetrator and cable type  |
| O-rings                          | Nitrile   |
| Inline cable length              | Customer specified  |
| Inline cable type                | Customer specified (SubConn® cables only)   |

### Inline cable colour code

Depends on corresponding SubConn® connector and cable type



**Drawing information**

Dimensions in mm (1 mm = 0.03937 inch)  
Threads in inches (1 inch = 25.4 mm)