

VCL-V190H



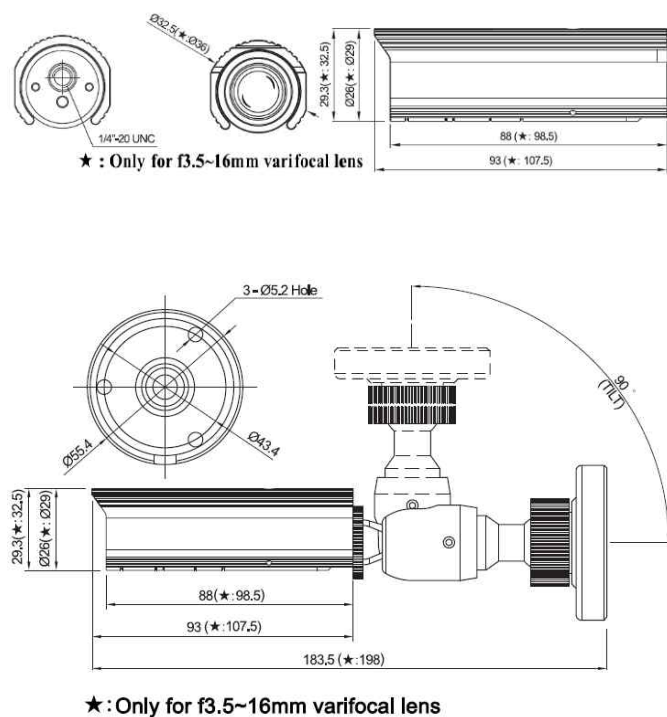
Features

- 1/3" SONY (960H) HAD CCD II
- 700TVL(520K Pixels)
- Low Smear
- f=4.0~9.0mm Varifocal Lens built-in
- D-WDR,HLM,2D-DNR
- Digital Zoom, 4 Privacy Zones, Motion Detection
- External Zoom & Focus Adjustment
- Cable Concealed Bracket
- Option: f=3.6~16mm Varifocal Lens

Specification

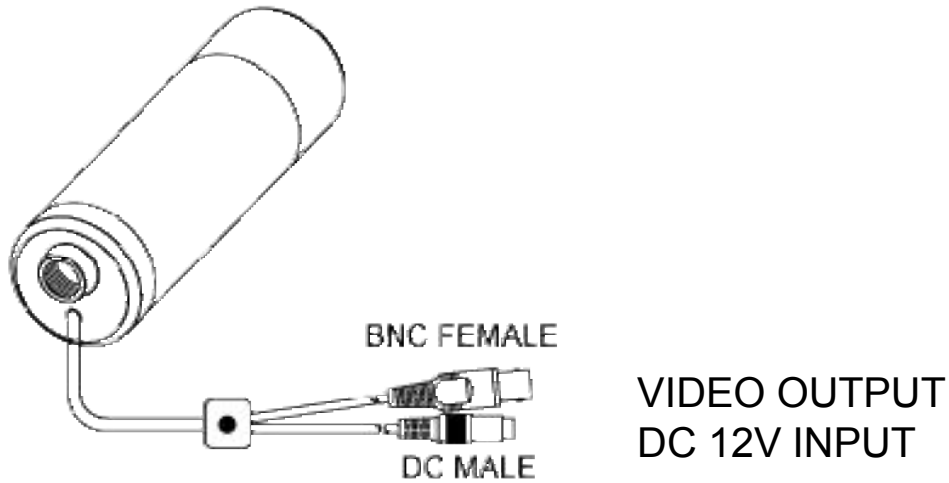
Signal format	NTSC	PAL
Image sensor	Interline 1/3 inch SONY SUPER HAD CCD II	
Scanning system	2:1 Interlace	
Scanning frequency	H: 15.734 KHz, V:59.94 Hz	H: 15.625 KHz, V:50 Hz
Total pixels	811(H) × 508(V)	795(H) × 596(V)
Effective pixels	768(H) × 494(V)	752(H) × 582(V)
Horizontal resolution	550 TV line	
Electronic shutter	1/60 - 1/100,000 sec automatic	1/50 - 1/100,000 sec automatic
S/N ratio	More than 45 dB (AGC off)	
Sensitivity	0.2 Lux / 30 IRE @ F2.0	
Gamma	γ = 0.45	
Sync System	Internal	
Video output	1 [Vp-p] Composite 75Ω unbalanced	
Power supply	DC12V(±10%), Max.70mA	
Mirror	Option	
Operating temperature	-10 °C ~ +50 °C	
Storage temperature	-20 °C ~ +60 °C	

Dimension

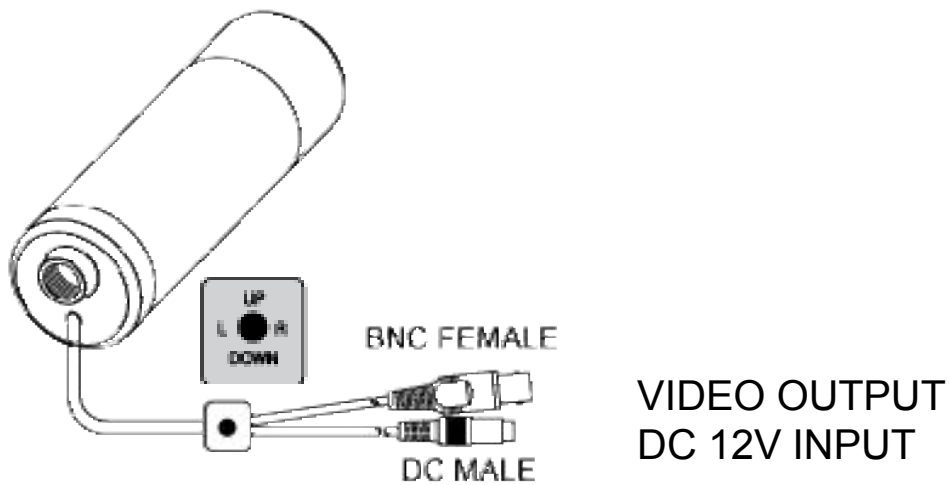


VCL-V190H

Interface



Standard Connection



Cable OSD Connection