

VCL-422H



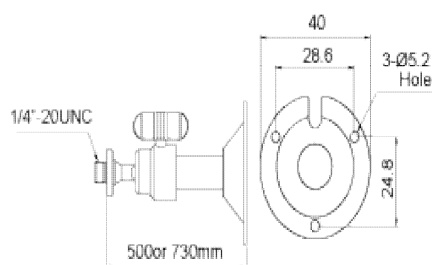
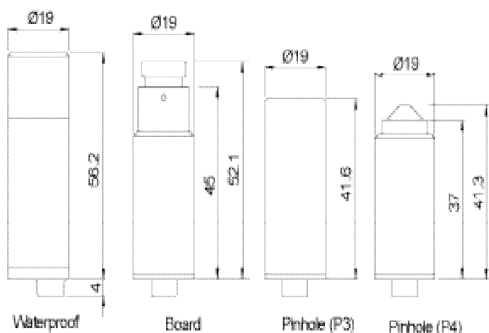
Features

- 1/3" Super HAD CCD II (SONY)
- High Sensitivity **700TV LINE**
- Digital Zoom
- 2D-DNR , HLC , OSD, D-WDR
- Privacy Zones , 4 Motion Detection
- Various Lenses Selectable
- World Smallest size of 19(Ø)mm
- Waterproof(IP67): VCL-F422H-WX only

Specification

Signal System	NTSC	PAL
Total Pixels Number	1020(H) x 508(V) 520K	1020(H) x 596(V) 610K
Effective Pixels Number	976(H) x 494(V) 480K	976(H) x 582 (V) 570K
Pick-up Device	1/3" SONY (960H) HAD CCD II	
Lens Fitted	Fixed Lens, Pinhole Lens, Door View Lens	
Signal Process	Digital Signal Process	
Scanning System	2:1 Interlace	
Sync. System	Internal	
Scanning Frequency	59.94Hz(VD)	50Hz(VD)
Resolution	700 TV lines	
S/N Ratio	More than 50dB (AGC Off)	
Video Output	1.0 Vpp composite(75Ω)	
Min. Illumination	0.1Lux @ 30IRE, F2.0	
OSD (option)	LENS	MANUAL, DC
	SHUTTER/AGC	SHUTTER : SHUT, SHUT+IRIS, IRIS
		AGC : OFF, AGC
	WHITE BALANCE	ATW, PUSH, USER1, USER2, ANTI CR, MANUAL, PUSH LOCK
	BACKLIGHT	OFF, BLC, HLC
	ATR	OFF, ON (Level adjustable)
	NR	OFF, ON (Level adjustable)
	DAYNIGHT	AUTO, COLOR, B/W
	PICT ADJUST	MIRROR, BRIGHTNESS, CONTRAST, SHARPNESS, HUE, GAIN
	MOTION DETECTION	OFF, ON (4 AREAS)
	PRIVACY	OFF, ON (4 AREAS)
	CAMERA ID	0~9, A~Z, Special Character
	LANGUAGE	English, Japanese, German, French, Russian, Portuguese, Spanish, Chinese
Shutter Speed	1/60 ~ 1/100,000sec	1/50 ~ 1/100,000sec
Power Consumption	DC12V, Max. 80mA	
Operating Temperature	-10℃ ~ 50℃ (Humidity : 0%RH ~ 80%RH)	
Storage Temperature	-20℃ ~ 60℃ (Humidity : 0%RH ~ 85%RH)	
Options	Waterproof, Lens, Cable OSD function, EXview CCD	
Weight	90 g	

Dimension



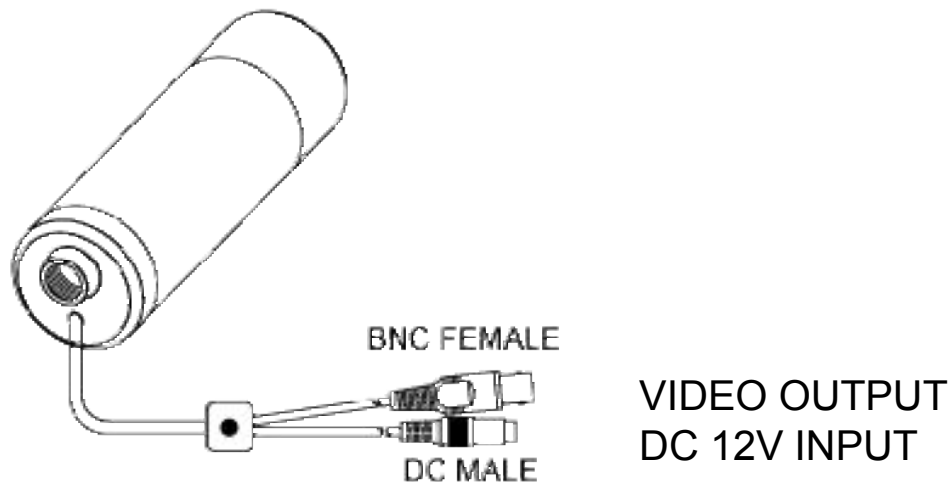
Option



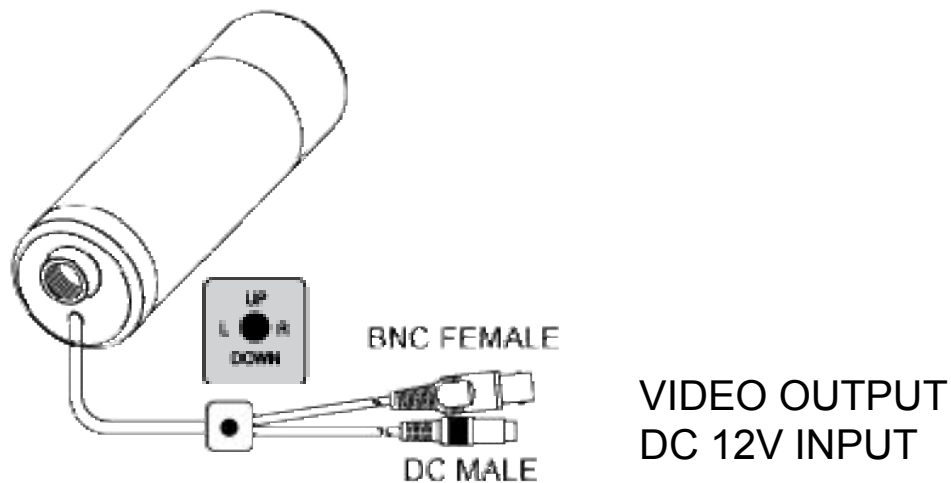
OSD Cable

VCL-422H

Interface



Standard Connection



Cable OSD Connection