

W15RK3S-PTA3 , 15.6-inch Multi-Touch Chassis Series HMI

Sleek Design, Enhanced User Experience

Ideal for various industrial or enterprise scenarios, the PT series Chassis HMI comes to satisfy those who are in need for a high performance HMI Panel PC in a slim, sleek design. The slim design also comes with a true flat front surface that is easy-to-clean and to avoid dust and water clogging on the edges. Featuring a high performance Arm Cortex A72 + A53 processor, the R15RK3S-PTA3 and onboard PoE to be able to transfer both data and electrical power to reduce installation costs and power consumption, the W15RK3S-PTA3 is a HMI ready for any tasks.



Highlights

- 15.6" 1920 x 1080 with P-CAP touchscreen
- Arm Cortex-A72 + Cortex-A53 Processor
- Fanless cooling system and ultra-low power consumption
- Front IP65 for protection against water and dust
- A true flat, easy-to-clean front surface with edge-to-edge design

W15RK3S-PTA3 , 15.6-inch Multi-Touch Chassis Series HMI

Sleek Design, Enhanced User Experience

Display Specification

Size/Type	15.6" TFT (widescreen)
Resolution	1920 x 1080
Brightness	300cd/m2 (typ.)
Contrast Ratio	800:1 (typ.)
Viewing Angle	-85~85 (H); -85~85 (V)
Max Colors	262K
Touch	Projected Capacitive Multi-Touch

System Specification

Processor	Arm Dual-core Cortex-A72 up to 2.0GHz + Quad-core Cortex-A53 up to 1.5GHz
System Memory	2GB LPDDR3
Storage	Onboard 16GB eMMC(default) /Micro SD card
Operating System	Android 7.1 (default)

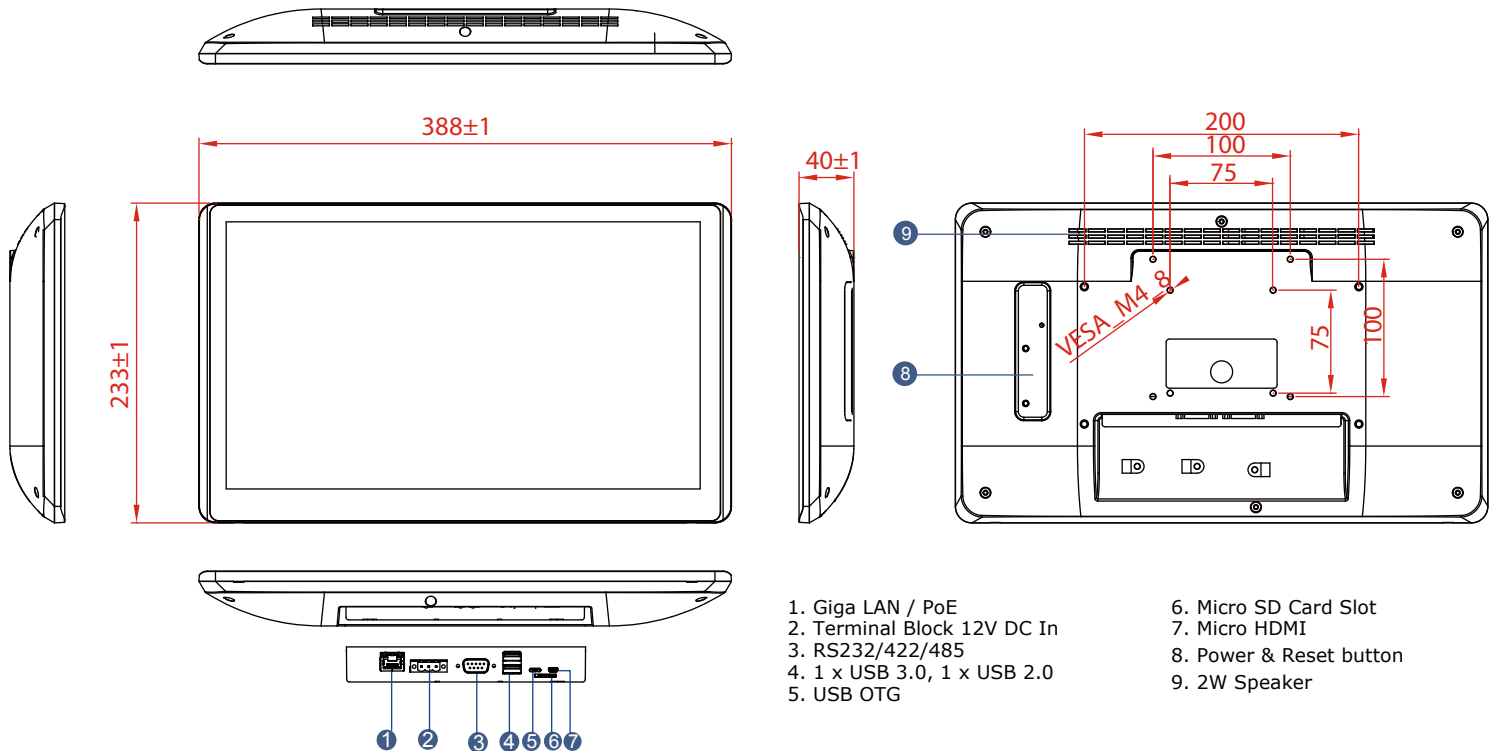
Interface

Serial Ports	1 x RS-232/422/485
USB Ports	1 x USB 3.0, 1 x USB 2.0, 1 x USB OTG
SD Card Slot	1 x Micro SD Card Slot
Ethernet	1 x RJ 45-10/100/1000 Mbps LAN support PoE function
HMDI	1 x Micro HDMI

Audio

Speaker	2 x 2 Watt Speaker
---------	--------------------

Drawing



Power Management

Power Input	12V DC
Power Over Ethernet	Power Device (PD) follows IEEE 802.3at (25 W),
Power Consumption	13 W typical, normal operation

Mechanical and Environment

Mounting	VESA Mount (100 x 200, 100 x 100, 75 x 75 mm)
Dimensions (W x H x D)	388 x 233 x 40 mm
Appearance	Back cover color White Plastic Housing

Environment

Operating Temperature	0 °C to 50 °C
Operating Humidity	10% to 95% (non condensing)
IP Rating	Front IP65