

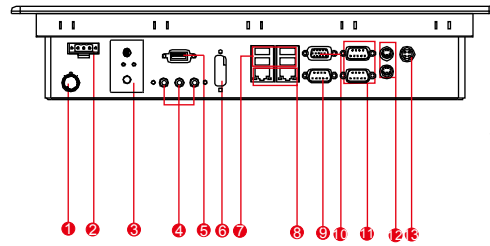
# W15IB7T-PPA4 15.6" P-CAP Panel PC (Intel® Celeron® Bay Trial-M N2930, 1.83GHz)

Mechanical Design



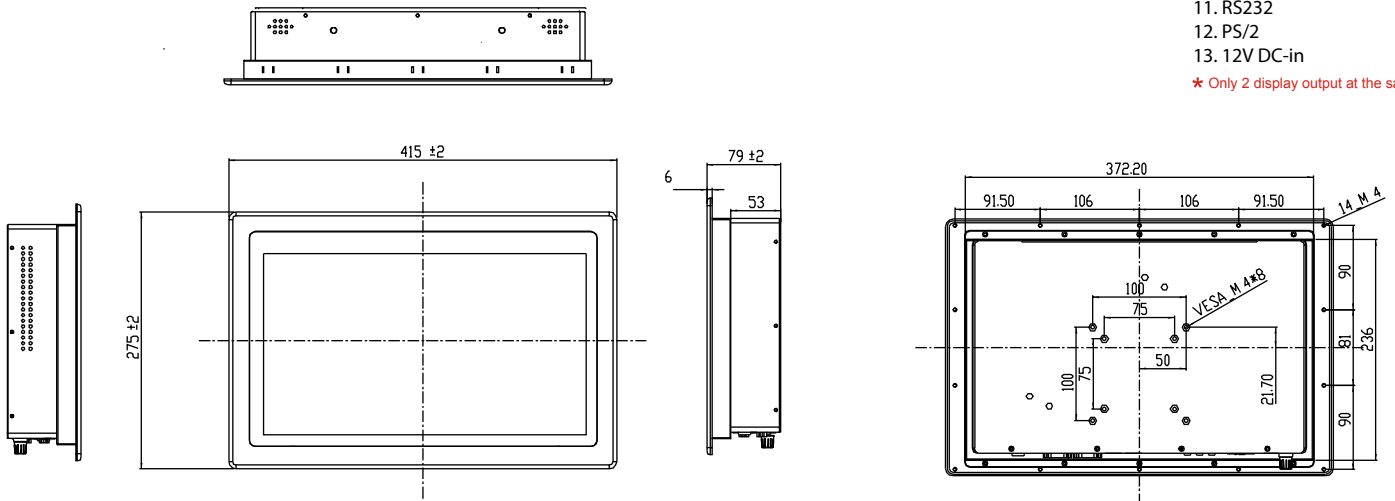
**Real Flat Panel Mount (IP65 front side)**

## Fully Integrated I/O



1. Brightness Adjustment knob
2. Wide range voltage (Optional)
3. OSD Membrane
4. Audio
5. RS232 (Optional)
6. DVI (Optional)\*
7. USB
8. LAN
9. RS232/422/485
10. VGA
11. RS232
12. PS/2
13. 12V DC-in

\* Only 2 display output at the same time



## CUT OUT: 374\*237 mm

- \* Measurements shown in mm
- \* Tolerance of all dimensions is shown as follow 0~30 mm ± 0.1 mm, 30~50 mm ± 0.15 mm, 50~120 mm ± 0.2 mm, above 120 mm ± 0.25 mm
- \* Note: this is a simplified drawing and some components are not marked in detail. Please contact our sales representative if you need further product information.

## Specifications

### System:

- Processor : Intel® Celeron® Bay Trial-M N2930, 1.83GHz
- System Chipset : Intel® Atom SoC Integrated
- SystemMemory : SODIMM DDR3L 1600/1333, max. 8G
- Storage : mSATA SSD 64GB (Default)
- LAN : Intel I210-AT GbE LAN x 2
- Audio Codec : Realtek ALC886 HD Audio Codec

### Input / Output :

- Serial Ports : 2 x RS232, 1 x RS232/422/485\*
- USB Ports : 1 x USB 3.0, 3 x USB 2.0
- Keyboard/Mouse : 2 x PS/2
- Ethernet : 2 x RJ45-10/100/1000 Mbps
- VGA : 1 x VGA (female)
- Audio : Line-out, Line-in, Mic in
- Power : 1 x DC-in Power Jack(+12V) \* Default: RS232

### Expansion Slot :

- Mini PCIe : 2 x Mini PCIe (1 for WiFi, 1 for 3G Module)
- eDP : 1 x eDP by 2x10 DF-13 connector

### Power Specifications :

- Power input : 12V DC
- Power Consumption : 58W (typ.)(Max.backlight & high CPU load)

### Accessories :

- External Adapter : 110~240V AC Power Adapter

### Display :

- Size/Type : 15.6" TFT
- Resolutions : 1920x1080
- Brightness : 300 cd/m (typ.)
- Contrast Ratio : 800 : 1 (typ.)
- Viewing Angle : -85~85(H); -85~85(V)
- Max. Colors : 16.7M
- Touch Screen : Projected capacitive multi-touch

### Environment Considerations :

- Operating Temperature : 0°C to 50°C
- Operating Humidity : 30% to 90% (non-condensing)
- IP Rating : Front IP65

### OS BSP / Driver Support :

- OS : Windows 10 IoT Enterprise  
Windows 7 Embedded  
Windows 8 Embedded (Optional)

