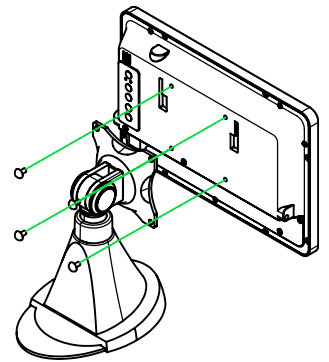
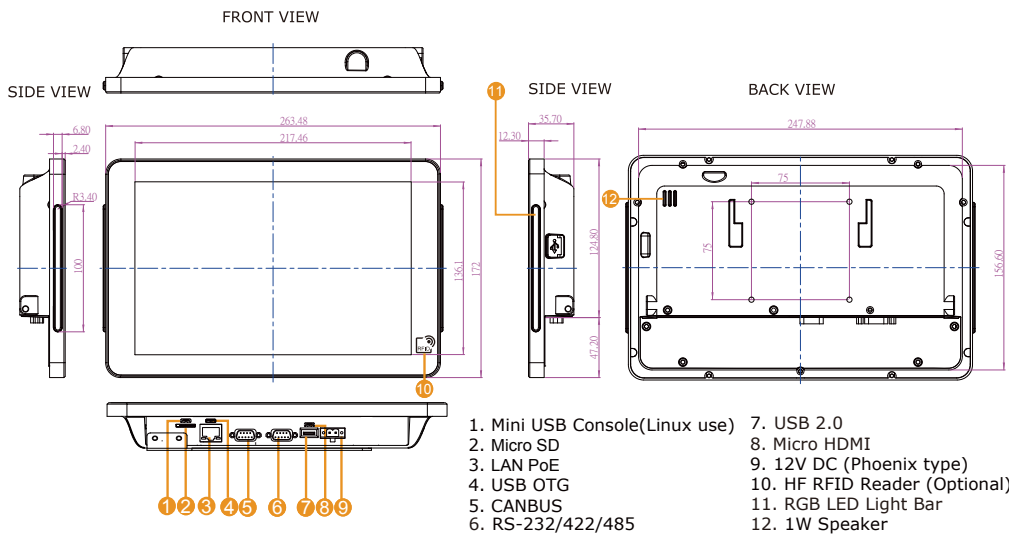


# 10.1" S-Series HMI - W10FA3S-PCH2AC-PoE

## Features

- 10.1" 1280 x 800 Resolution with Projected Capacitive Multi-Touch (P-CAP)
- Fanless cooling system and ultra-low power consumption
- Support PoE function
- Optional 2MP Front Camera
- Optional HF RFID Reader
- Stylish design for room booking, access control and room information applications
- Front IP65 Water and Dust Proof
- Built-in RGB LED Light Bar Indicator



VESA Desk Stand (optional)

## Specifications

### System :

- Processor : Freescale Cortex A9 i.MX6 Dual Core 1GHz (Optional for Quad Core)
- System Memory : 1GB LPDDR3(Optional 2GB LPDDR3)
- Storage : Onboard 16GB eMMC(default) ,Micro SD card

### Input / Output :

- COM port : 1 x RS-232/422/485
- USB Ports : 1 x USB 2.0 host, 1 x USB OTG
- SD Slot : 1 x Micro SD Card Slot
- Ethernet : 1 x RJ45,10/100/1000 LAN Support PoE function
- Speaker : 1 x 1 Watt Speaker
- CANBUS : 1 x CANBUS
- HDMI : 1 x Micro HDMI

### Power Specifications :

- Power Input : 12V DC
- Power Over Ethernet : Power Device (PD) follows IEEE 802.3at (25 W), IEEE 802.3af (15 W)
- Power Consumption : 12W

### OS/BSP Driver Support :

- Programming Guide : Android 6.0 (default)  
Linux Kernel 4.1.15, QT5.5 (Optional)  
Ubuntu 16.04 (Optional)

### Display Spec :

- Size/Type : 10.1" TFT (Widescreen)
- Resolutions : 1280x800
- Brightness : 350cd/m (typ.)
- Contrast Ratio : 800 : 1 (typ.)
- Viewing Angle : 85~85(H);-85~85(V)
- Max Colors : 16.7M
- Touch : Projected Capacitive Multi-Touch (P-CAP)  
: Optional anti-glare coating

### Mechanical Specification :

- Cooling System : Fanless design
- Mounting : VESA Mount(75x75mm), Panel Mount, Front Side Wall Mount
- Dimension (W x H x D) : 263.28 x 171 x 35.7 (mm)
- Cutout Dimensions (W x D): 157.6 x 249 (mm)

### Environment Considerations :

- Operating Temperature : 0 °C to 50 °C
- Operating Humidity : 30% to 90% (non-condensing)

### Peripheral (Optional):

- RFID : HF RFID Reader 13.56 MHz
- Front Camera : 2MP Front Camera

