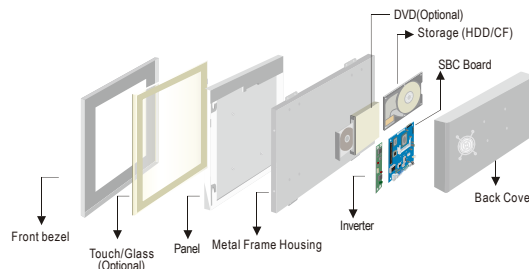


# R10IV7T-PMT2 10.4" Panel PC (Intel® 3rd Generation Core™ i7 / i5)

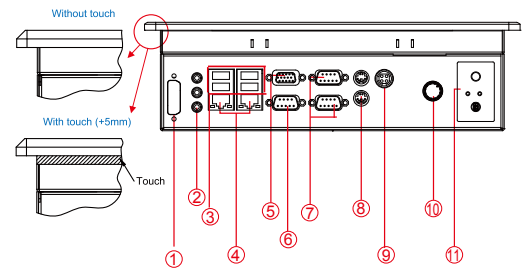
Mechanical Design



Panel Mount (6 mm front bezel)



Mechanical design



1. DVI (Optional)
2. Audio jack
3. USB
4. RJ-45
5. VGA Out
6. RS-232/422/485.
7. RS-232 Conn.
8. PS/2
9. DC-IN Power Jack
10. Brightness Adjustment Knob
11. OSD Membrane

Fully Integrated I/O

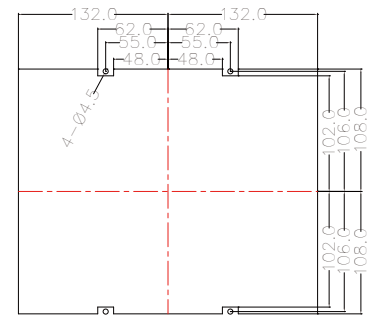
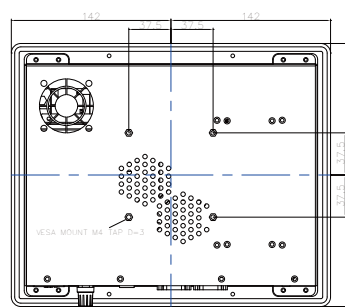
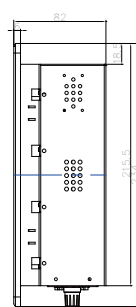
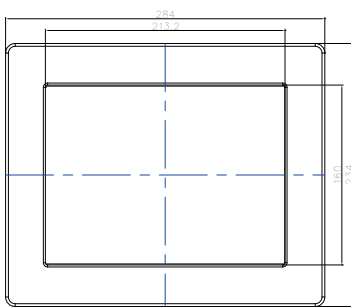
Dimensions

FRONT VIEW

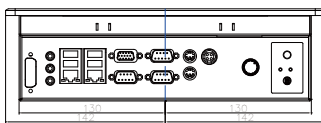
SIDE VIEW

BACK VIEW

CUT OUT



1:2



- \* Total dimension: 284 x 234 x 82 mm
- \* Cutout dimension: 261 x 202 mm
- \* Measurements shown in mm
- All Dimensions are  $\pm 0.5$  mm
- Note: this is a simplified drawing and some components are not marked in detail. Always representative if you need further product information.

## Specifications

### System Specifications :

- CPU : Intel® 3rd Generation Core™ i7-3520M 2.9GHz, turbo to 3.6GHz  
Intel® 3rd Generation Core™ i5-3230M 2.9GHz, turbo to 3.6GHz
- System Chipset : Intel HM76 Chipset
- System Memory : 2 x DDR3L 1333/1600MHz SO-DIMM, max. 16GB
- Audio : Realtek ALC886 HD Audio Codec
- Network : Dual Broadcom BCM57780 PCIe GbE LAN Controller
- IDE/SATA : 1 x SATA III, 1 x SATA II

### Input / Output :

- Serial Ports : 2 x RS232, 1 x RS232/422/485
  - USB Ports : 4 x USB 3.0
  - Keyboard / Mouse : 2 x PS/2
  - Ethernet : 2 x RJ 45-10/100/1000 Mbps
  - VGA : 1 x VGA (female)
  - Audio : Line-Out, Line-In, Mic in
- Default setting: RS232

### Expansion Slot :

- 2 x Mini PCIe (1 for WiFi, 1 for WWAN Module), 1xPCIe x16 , 1xPCIe x 4
- \* A customized housing is needed if you would like to have the PCIe expansion.

### Power Management :

- Power Input : 12V DC IN (Lockable Power Jack)
- Power Consumption : 87W (typ.)(Max.backlight & high CPU load)

### Accessories :

- External Adapter : 110~240V Ac-in Power Adapter

### Display Specifications :

- Size/Type : 10,4" TFT
- Resolution : 1024 x 768
- Contrast Ratio : 1000:1
- Brightness : 350 nits
- Viewing Angle : -88~88 (H) ; -88~88 (V)
- Max Colors : 16.2M

### Environment :

- Operating Temperature : 0°C to 50°C
- Operating Humidity : 30% to 90% (non condensing)

### OS BSP / Driver Support :

- Support Windows 7 Embedded / Windows 8 Embedded / Windows 10 IoT Enterprise

### Order Options :

Mechanical : Panel Mount (6 mm bezel)	Storage : 2.5"HDD/ 2.5" SSD/ mSATA SSD
Touch : 5 Wire Resistive (Optional) AR Glass(Optional)	RAM : DDR3L 1333/1600MHz SO-DIMM, max. 16GB
(A customized housing is needed if you have demands of SAW/IR/SC touch)	OS : Windows 7 Embedded/ Windows 8 Embedded / Windows 10 IoT Enterprise



Note: All Specifications are subject to change without prior notice!

Revised Date: 26-Mar-2019 V1.7