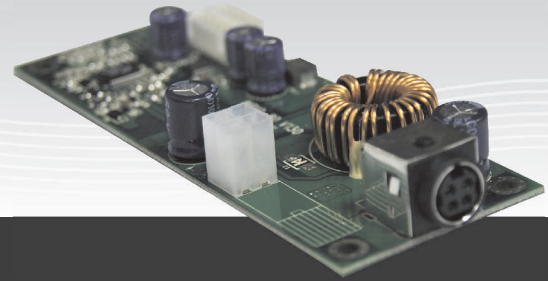


# DC To DC Power Units

# DD-WP19-80

9V~36V 80W DC/DC Converter Module

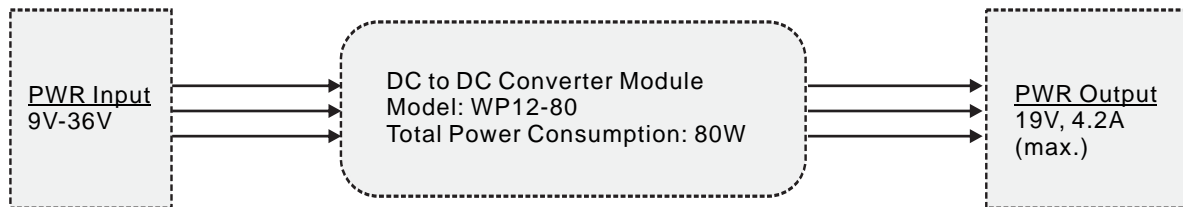


## Features

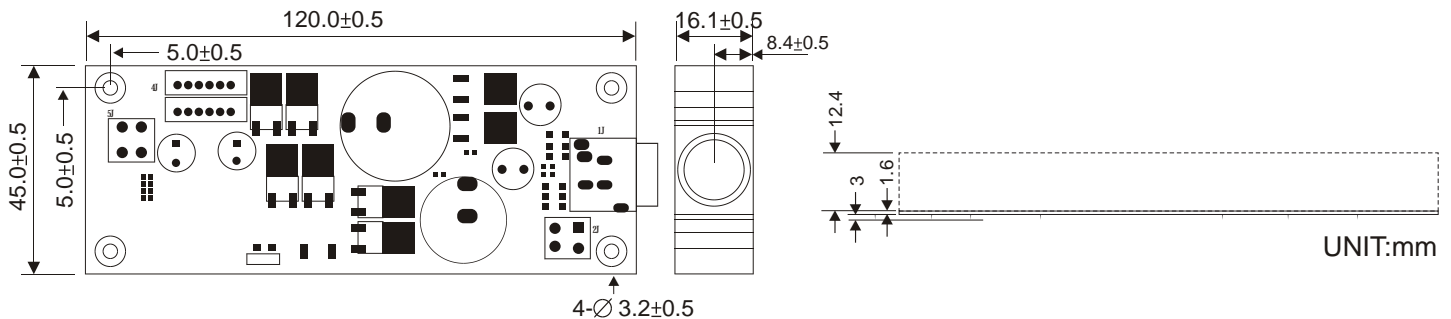
- High efficiency DC-DC Power Supply
- Wide input voltage range 9V to 36V
- Output over-current protection
- Simple to install
- RoHS Compliant
- No minimum load required

## GENERAL

Applicable to general Panel PC for wide DC input voltage range.



## MECHANICAL



\* Note: this is a simplified drawing and some components are not marked in detail. Please contact our sales representative if you need further product information.

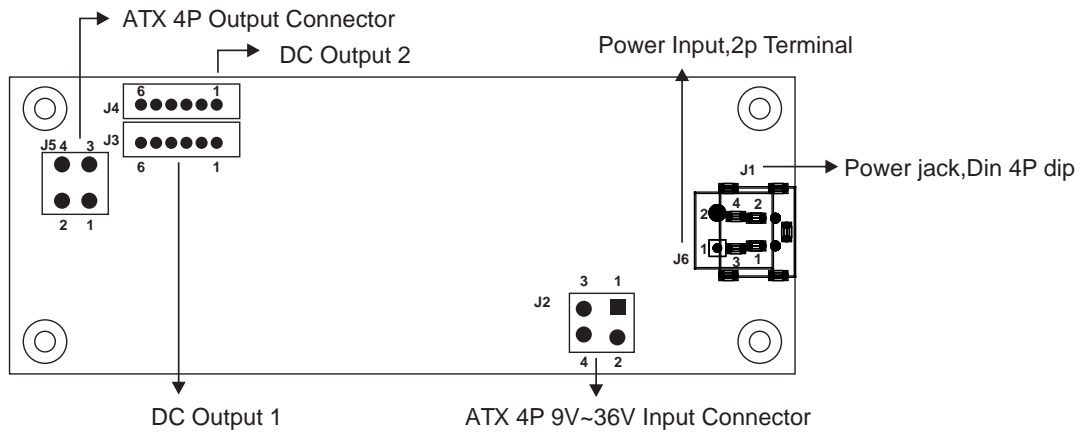
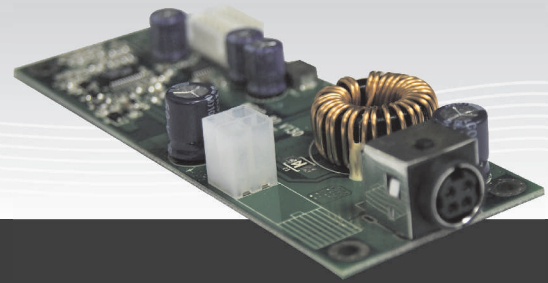
## Specifications

|                          |  |
|--------------------------|--|
| <b>Input Voltage</b>     | : 9V to 36V DC                                 |
| <b>Output Voltage</b>    | : 19V DC                                       |
| <b>Load Range</b>        | : 4.2A   |
| <b>Power Consumption</b> | : 80W  |
| <b>Ripple And Noise</b>  | : Less than 190mV                              |
| <b>Line Regulation</b>   | : Less than 1% at rated load with 9V~36V input |
| <b>Load Regulation</b>   | : Less than ±5 %                               |
| <b>Efficiency</b>        | : Min 88% at full load                         |
| <b>Altitude</b>          | : 0 to 10000ft                                 |
| <b>Protection</b>        | : OCP protection                               |
| <b>Operating Temp.</b>   | : 0°~50  |
| <b>Storage Temp.</b>     | : -20°~70                                      |
| <b>Humidity</b>          | : 10~90% non-condensing                        |
| <b>Dimension</b>         | : 120x45x17(mm)                                |

# DC To DC Power Units

# DD-WP19-80

9V~36V 80W DC/DC Converter Module



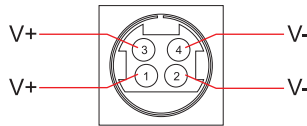
\* Note: this is a simplified drawing and some components are not marked in detail. Please contact our sales representative if you need further product information.

## Pin Assignment:

### J1: Power Jack

Connector Type : Din 4p dip Power Jack QuickLock

| Pin | Symbol          |
|-----|-----------------|
| 1   | DC 9V~36V Input |
| 2   | GND             |
| 3   | DC 9V~36V Input |
| 4   | GND             |



### J2: ATX DC input Connector

Connector Type : P:4.2mm DIP180 °Molex87427

| Pin | Symbol          |
|-----|-----------------|
| 1   | GND             |
| 2   | GND             |
| 3   | DC 9V~36V Input |
| 4   | DC 9V~36V Input |

### J3: DC output 1

Connector Type : 1\*6p P:2.50mm DIP 180 °

| Pin | Symbol |
|-----|--------|
| 1   | 19V    |
| 2   | GND    |
| 3   | GND    |
| 4   | GND    |
| 5   | 19V    |
| 6   | 19V    |

### J4: DC output 2

Connector Type : 1\*6p P:2.50mm DIP 180 °

| Pin | Symbol |
|-----|--------|
| 1   | 19V    |
| 2   | GND    |
| 3   | GND    |
| 4   | GND    |
| 5   | 19V    |
| 6   | 19V    |

### J5: ATX Output Connector

Connector Type : P:4.2mm DIP180 °Molex87427

| Pin | Symbol |
|-----|--------|
| 1   | GND    |
| 2   | GND    |
| 3   | 19V    |
| 4   | 19V    |

### J6: Power Input

Connector Type : 2p Terminal DT-29-B01W-02

| Pin | Symbol          |
|-----|-----------------|
| 1   | DC 9V~36V Input |
| 2   | GND             |

| Rev. | Reasons     | Revised Date |
|------|-------------|--------------|
| 1.2  | Spec change | Jun-30-09    |
| 1.3  | Spec change | Jul-22-10    |
| 1.4  | Spec change | Jan-16-13    |