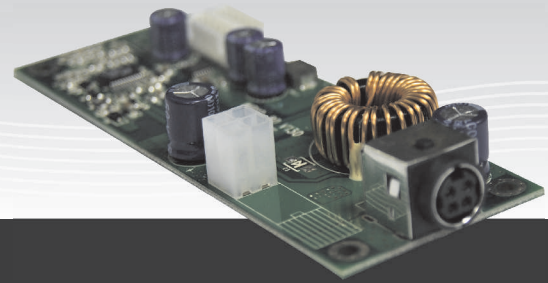


DC To DC Power Units

DD-WP12-80

9V~36V 9V0W DC/DC Converter Module

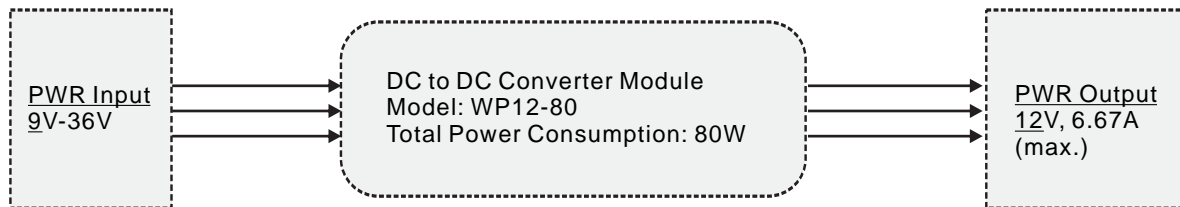


Features

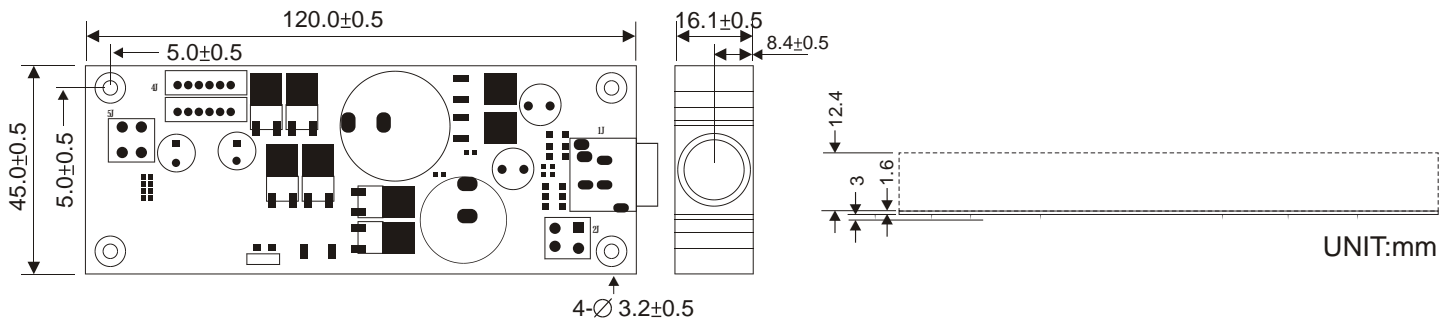
- High efficiency DC-DC Power Supply
- Wide input voltage range 9V to 36V
- Output over-current protection
- Simple to install
- RoHS Compliant
- No minimum load required

GENERAL

Applicable to general Panel PC for wide DC input voltage range.



MECHANICAL



* Note: this is a simplified drawing and some components are not marked in detail. Please contact our sales representative if you need further product information.

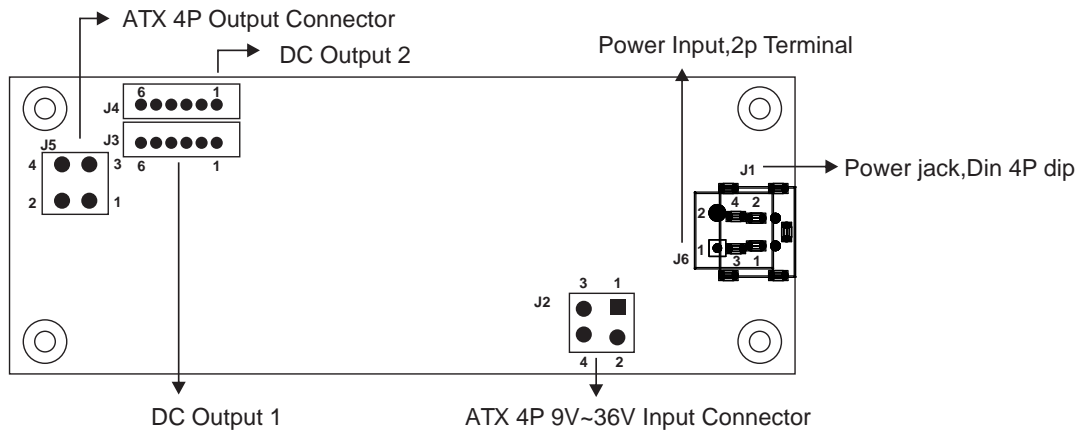
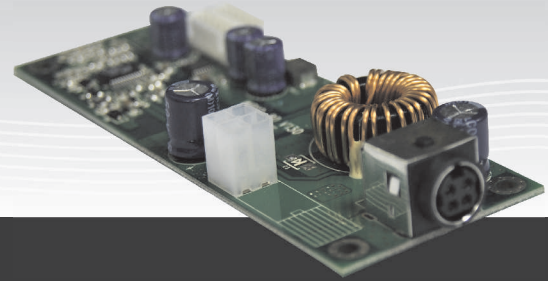
Specifications

| | |
|--------------------------|--|
| Input Voltage | : 9V to 36V DC |
| Output Voltage | : 12V DC |
| Load Range | : 6.6A |
| Power Consumption | : 80W |
| Ripple And Noise | : Less than 120mV |
| Line Regulation | : Less than 1% at rated load with 9V~36V input |
| Load Regulation | : Less than ±5 % |
| Efficiency | : >80% at full load |
| Altitude | : 0 to 10000ft |
| Protection | : OCP protection >8A |
| Operating Temp. | : 0 ~50 |
| Storage Temp. | : -20 ~70 |
| Humidity | : 10~90% non-condensing |
| Dimension | : 120x45x17(mm) |

DC To DC Power Units

DD-WP12-80

9V~36V 9V0W DC/DC Converter Module



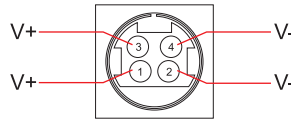
* Note: this is a simplified drawing and some components are not marked in detail. Please contact our sales representative if you need further product information.

Pin Assignment:

J1: Power Jack

Connector Type : Din 4p dip Power Jack QuickLock

| Pin | Symbol |
|-----|-----------------|
| 1 | DC 9V~36V Input |
| 2 | GND |
| 3 | DC 9V~36V Input |
| 4 | GND |



J2: ATX DC input Connector

Connector Type : P:4.2mm DIP180 °Molex87427

| Pin | Symbol |
|-----|-----------------|
| 1 | GND |
| 2 | GND |
| 3 | DC 9V~36V Input |
| 4 | DC 9V~36V Input |

J3: DC output 1

Connector Type : 1*6p P:2.50mm DIP 180 °

| Pin | Symbol |
|-----|--------|
| 1 | 12V |
| 2 | GND |
| 3 | GND |
| 4 | GND |
| 5 | 12V |
| 6 | 12V |

J4: DC output 2

Connector Type : 1*6p P:2.50mm DIP 180 °

| Pin | Symbol |
|-----|--------|
| 1 | 12V |
| 2 | GND |
| 3 | GND |
| 4 | GND |
| 5 | 12V |
| 6 | 12V |

J5: ATX Output Connector

Connector Type : P:4.2mm DIP180 °Molex87427

| Pin | Symbol |
|-----|--------|
| 1 | GND |
| 2 | GND |
| 3 | 12V |
| 4 | 12V |

J6: Power Input

Connector Type : 2p Terminal DT-29-B01W-02

| Pin | Symbol |
|-----|-----------------|
| 1 | DC 9V~36V Input |
| 2 | GND |

| Rev. | Reasons | Revised Date |
|------|-------------|--------------|
| 1.2 | Spec change | Jun-30-09 |
| 1.3 | Spec change | Jul-22-10 |
| 1.4 | Spec change | Jan-16-13 |