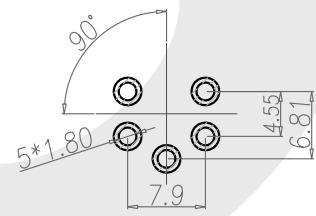
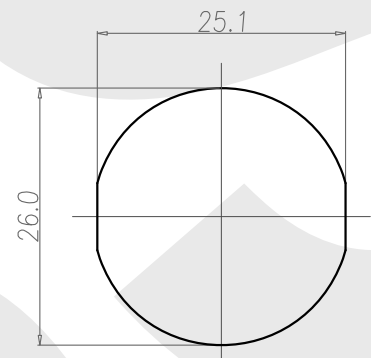
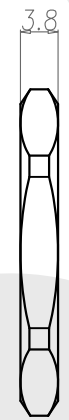
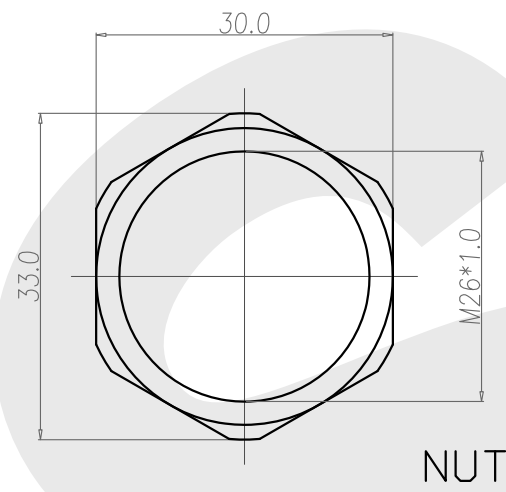
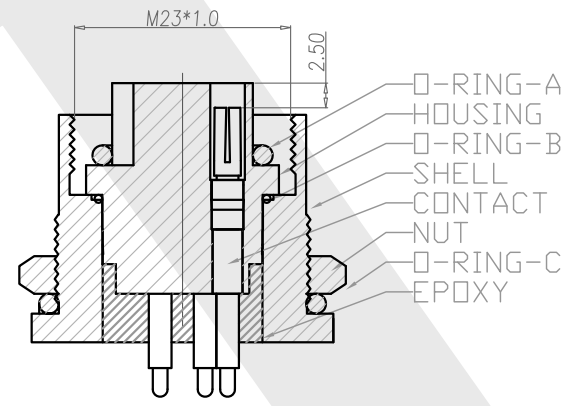
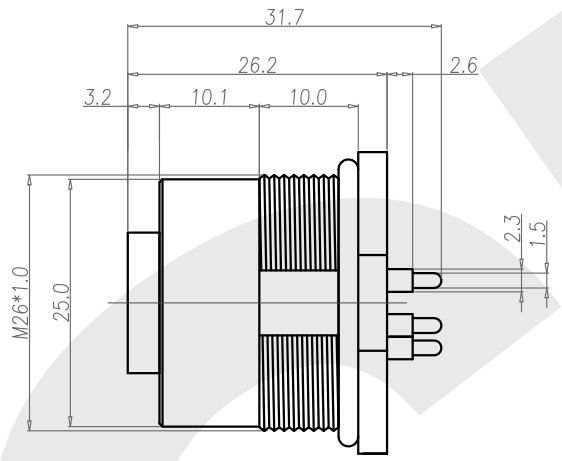
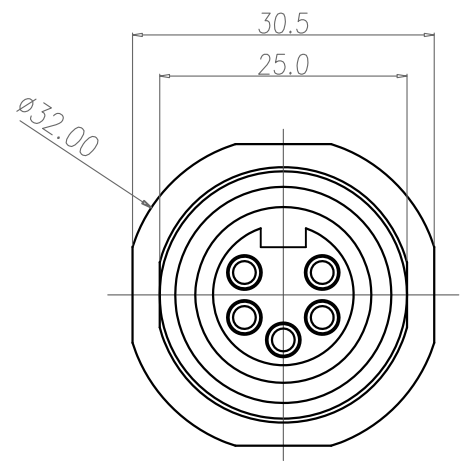


Rev	Revisions	Rev.Drawn	Date
A		Du	06,May,2011

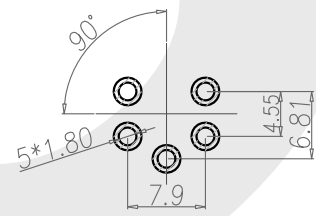
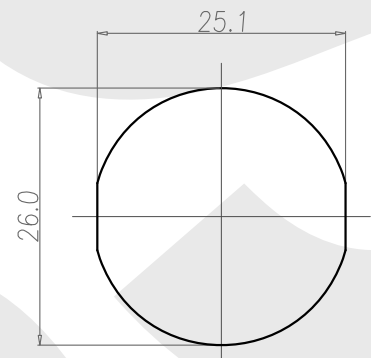
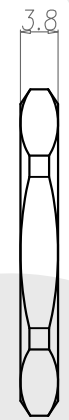
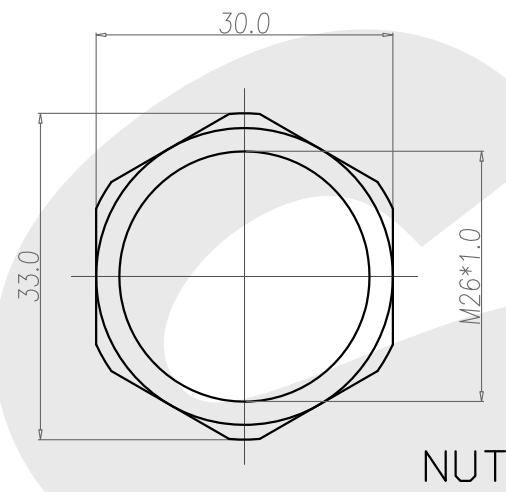
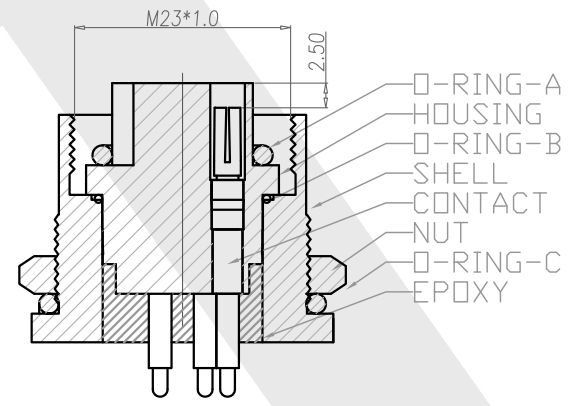
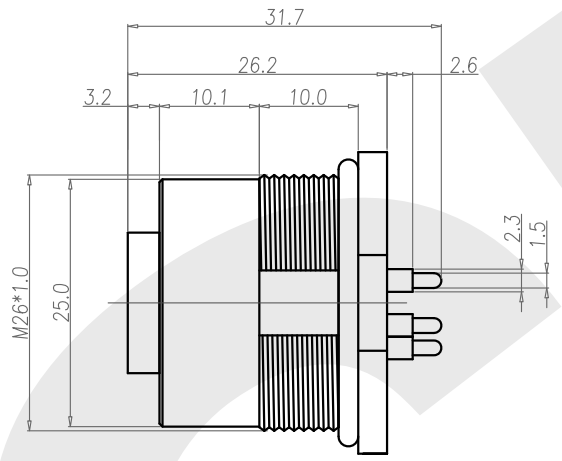
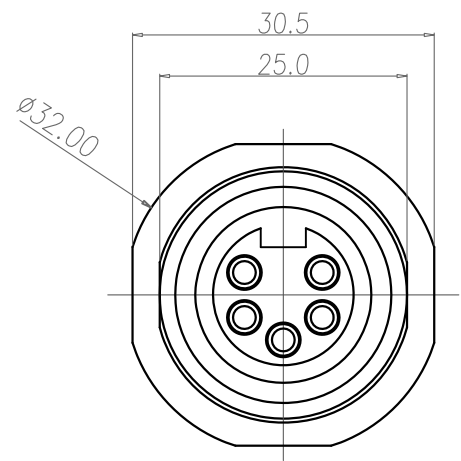


- MATERIAL :**
  - HOUSING : PBT UL94V-0 ; COLOR : YELLOW
  - CONTACT : BRASS
  - SHELL : ALUMINUM
  - NUT : ALUMINUM
  - O-RING-A : NBR; COLOR : BLACK
  - O-RING-B : NBR; COLOR : BLACK
  - O-RING-C : NBR; COLOR : BLACK
  - Epoxy Base : EF400A&EF400B.COLOR:BLACK
- FINISH :**
  - CONTACT : 30 MICRO INCHES MIN. GOLD PLATED
  - SHELL : NICKEL PLATED OVER ALL
  - NUT : NICKEL PLATED OVER ALL
- ELECTRICAL SPECIFICATION :**
  - Rated current : 20A
  - Rated voltage : 125V
  - Water proof: IPX7
- Environmental :**
  - Operation Temperature : -20 °C~85°C

**SST SOUTH SEA TERMINAL CO.,LTD**

SGS Report No.:	Customer:	Part No.:
		23F5P-B-A-FL-26x1.0-D-D-G30-B-N
Title: <b>M23 FEMALE DIP TYPE FRONT LOCK for BOARD</b>		
Drawn By: Storm.Li	SCALE	SHEET
Checked By: du	1:1	1/1
Approved By: Tony	Thire angle Projection	REV. A
	General Dimension Tolerance	DWG NO.:
		SST-110506-10
		TOLERANCE
		.x ±0.20
		.xx ±0.10
		.xxx ±0.05
		.xxxx ±0.03
		ANGULA ±1°
		Units
		mm

Rev	Revisions	Rev.Drawn	Date
A		Du	06,May,2011

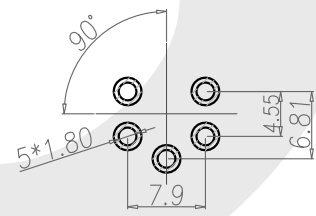
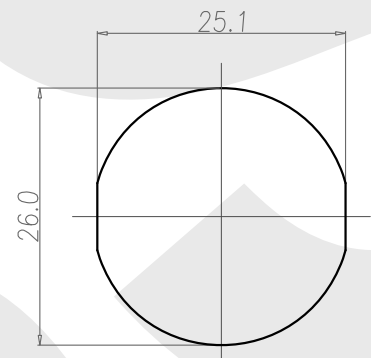
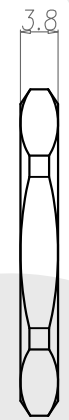
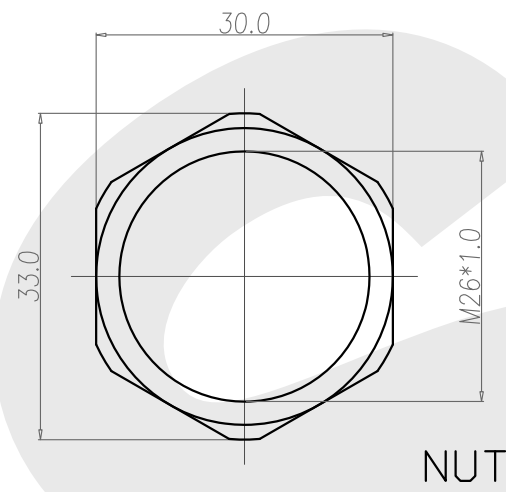
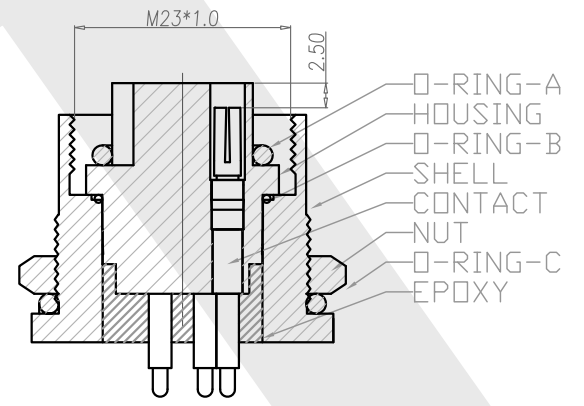
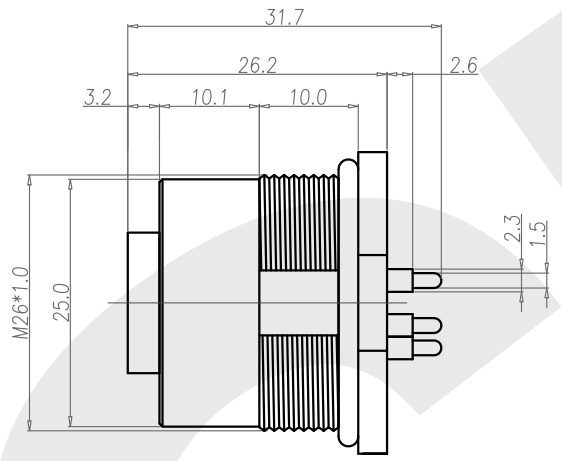
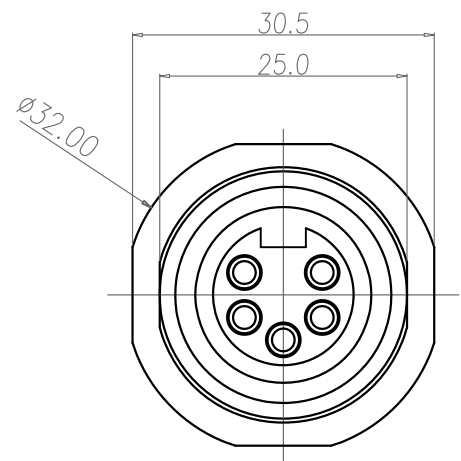


- MATERIAL :**
  - HOUSING : PBT UL94V-0 ; COLOR : YELLOW
  - CONTACT : BRASS
  - SHELL : ALUMINUM
  - NUT : ALUMINUM
  - O-RING-A : NBR; COLOR : BLACK
  - O-RING-B : NBR; COLOR : BLACK
  - O-RING-C : NBR; COLOR : BLACK
  - Epoxy Base : EF400A&EF400B.COLOR:BLACK
- FINISH :**
  - CONTACT : 30 MICRO INCHES MIN. GOLD PLATED
  - SHELL : NICKEL PLATED OVER ALL
  - NUT : NICKEL PLATED OVER ALL
- ELECTRICAL SPECIFICATION :**
  - Rated current : 20A
  - Rated voltage : 125V
  - Water proof: IPX7
- Environmental :**
  - Operation Temperature : -20 °C~85°C

**SST SOUTH SEA TERMINAL CO.,LTD**

SGS Report No.:	Customer:	Part No.:
		23F5P-B-A-FL-26x1.0-D-D-G30-B-N
Title: <b>M23 FEMALE DIP TYPE FRONT LOCK for BOARD</b>		
Drawn By: Storm.Li	SCALE	SHEET
Checked By: du	1:1	1/1
Approved By: Tony	REV.	A
	DWG NO.:	SST-110506-10
	Third angle Projection	
	General Dimension Tolerance	
	Units	mm
	TOLERANCE	.x ±0.20
		.xx ±0.10
		.xxx ±0.05
		.xxxx ±0.03
		ANGULA ±1°

Rev	Revisions	Rev.Drawn	Date
A		Du	06,May,2011

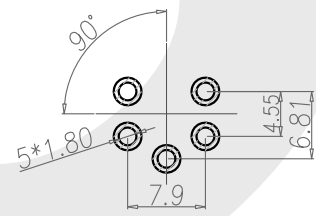
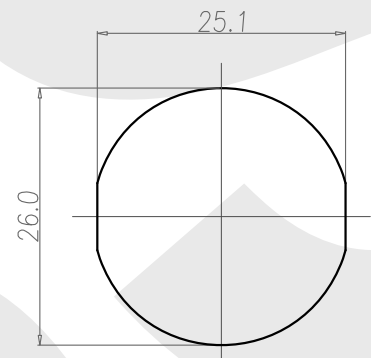
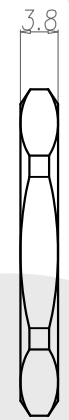
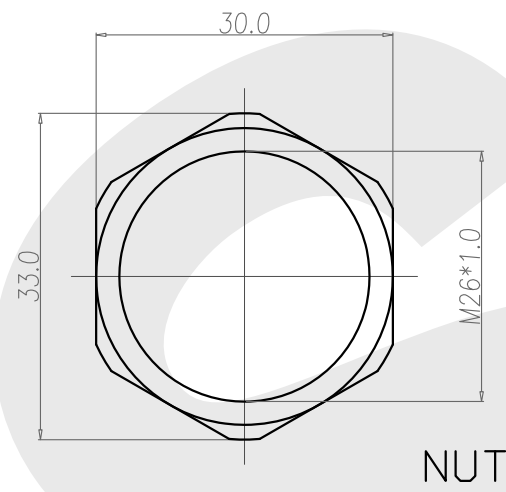
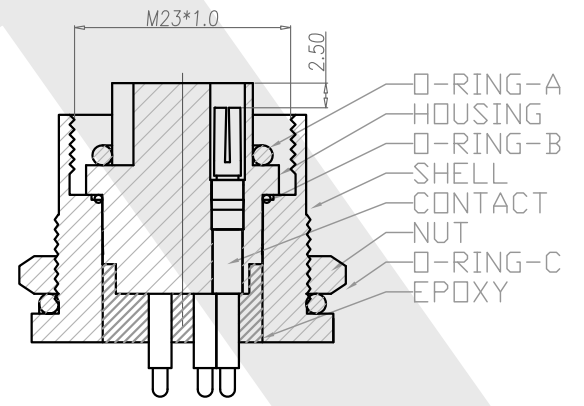
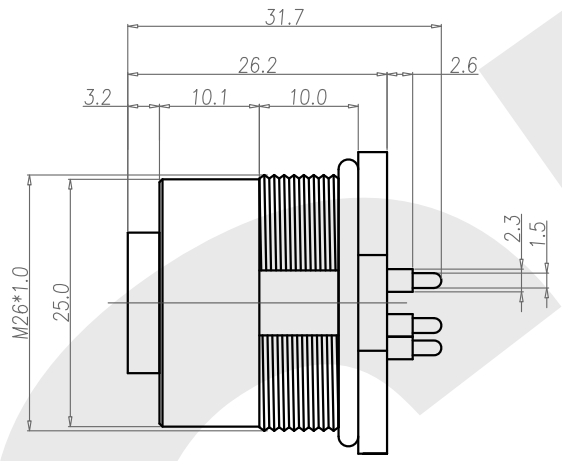
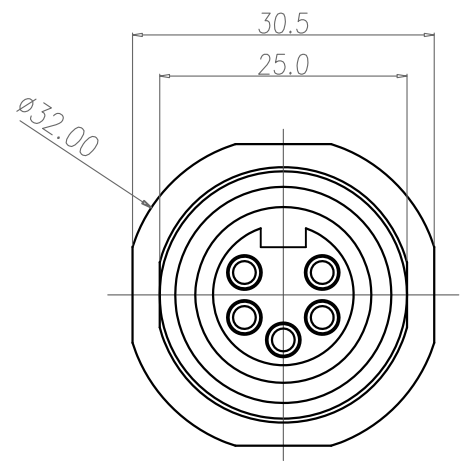


- MATERIAL :**
  - HOUSING : PBT UL94V-0 ; COLOR : YELLOW
  - CONTACT : BRASS
  - SHELL : ALUMINUM
  - NUT : ALUMINUM
  - O-RING-A : NBR; COLOR : BLACK
  - O-RING-B : NBR; COLOR : BLACK
  - O-RING-C : NBR; COLOR : BLACK
  - Epoxy Base : EF400A&EF400B.COLOR:BLACK
- FINISH :**
  - CONTACT : 30 MICRO INCHES MIN. GOLD PLATED
  - SHELL : NICKEL PLATED OVER ALL
  - NUT : NICKEL PLATED OVER ALL
- ELECTRICAL SPECIFICATION :**
  - Rated current : 20A
  - Rated oltage : 125V
  - Water proof: IPX7
- Environmental :**
  - Operation Temperature : -20 ℃~85℃

**SST SOUTH SEA TERMINAL CO.,LTD**

SGS Report No.:	Customer:	Part No.:
		23F5P-B-A-FL-26x1.0-D-D-G30-B-N
Title: <b>M23 FEMALE DIP TYPE FRONT LOCK for BOARD</b>		
Drawn By: Storm.Li	SCALE	SHEET
Checked By: du	1:1	1/1
Approved By: Tony	Thire angle Projection	REV. A
	General Dimension Tolerance	DWG NO.:
		SST-110506-10
		TOLERANCE
		.x ±0.20
		.xx ±0.10
		.xxx ±0.05
		.xxxx ±0.03
		ANGULA ±1°
		Units
		mm

Rev	Revisions	Rev.Drawn	Date
A		Du	06,May,2011

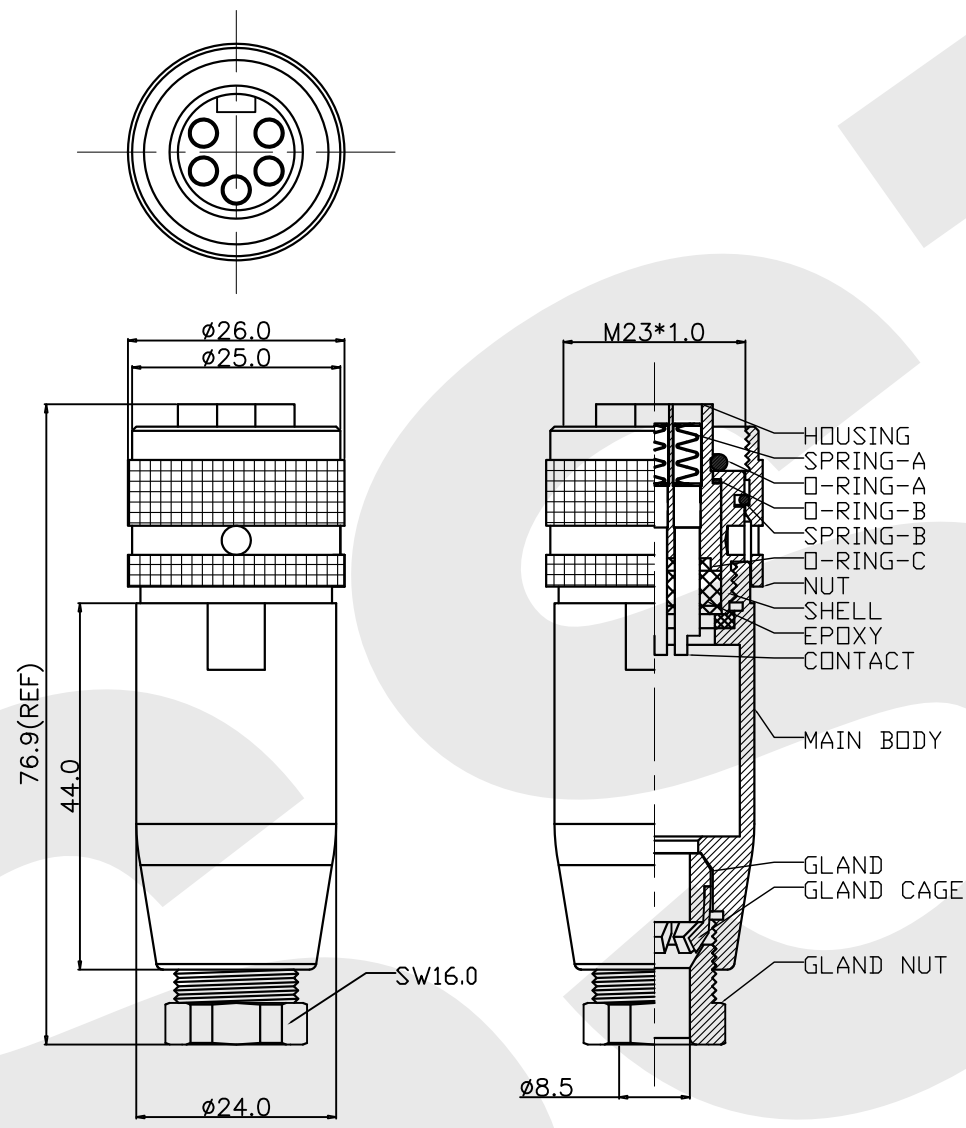


- MATERIAL :**
  - HOUSING : PBT UL94V-0 ; COLOR : YELLOW
  - CONTACT : BRASS
  - SHELL : ALUMINUM
  - NUT : ALUMINUM
  - O-RING-A : NBR; COLOR : BLACK
  - O-RING-B : NBR; COLOR : BLACK
  - O-RING-C : NBR; COLOR : BLACK
  - Epoxy Base : EF400A&EF400B.COLOR:BLACK
- FINISH :**
  - CONTACT : 30 MICRO INCHES MIN. GOLD PLATED
  - SHELL : NICKEL PLATED OVER ALL
  - NUT : NICKEL PLATED OVER ALL
- ELECTRICAL SPECIFICATION :**
  - Rated current : 20A
  - Rated oltage : 125V
  - Water proof: IPX7
- Environmental :**
  - Operation Temperature : -20 ℃~85℃

**SST SOUTH SEA TERMINAL CO.,LTD**

SGS Report No.:	Customer:	Part No.:
		23F5P-B-A-FL-26x1.0-D-D-G30-B-N
Title: <b>M23 FEMALE DIP TYPE FRONT LOCK for BOARD</b>		
Drawn By: Storm.Li	SCALE	SHEET
Checked By: du	1:1	1/1
Approved By: Tony	REV.	A
	DWG NO.:	SST-110506-10
	Third angle Projection	Units
	General Dimension Tolerance	mm
		TOLERANCE
		.x ±0.20
		.xx ±0.10
		.xxx ±0.05
		.xxxx ±0.03
		ANGULA ±1°

Rev	Revisions	Rev.Drawn	Date
A		Du	25/11/11"

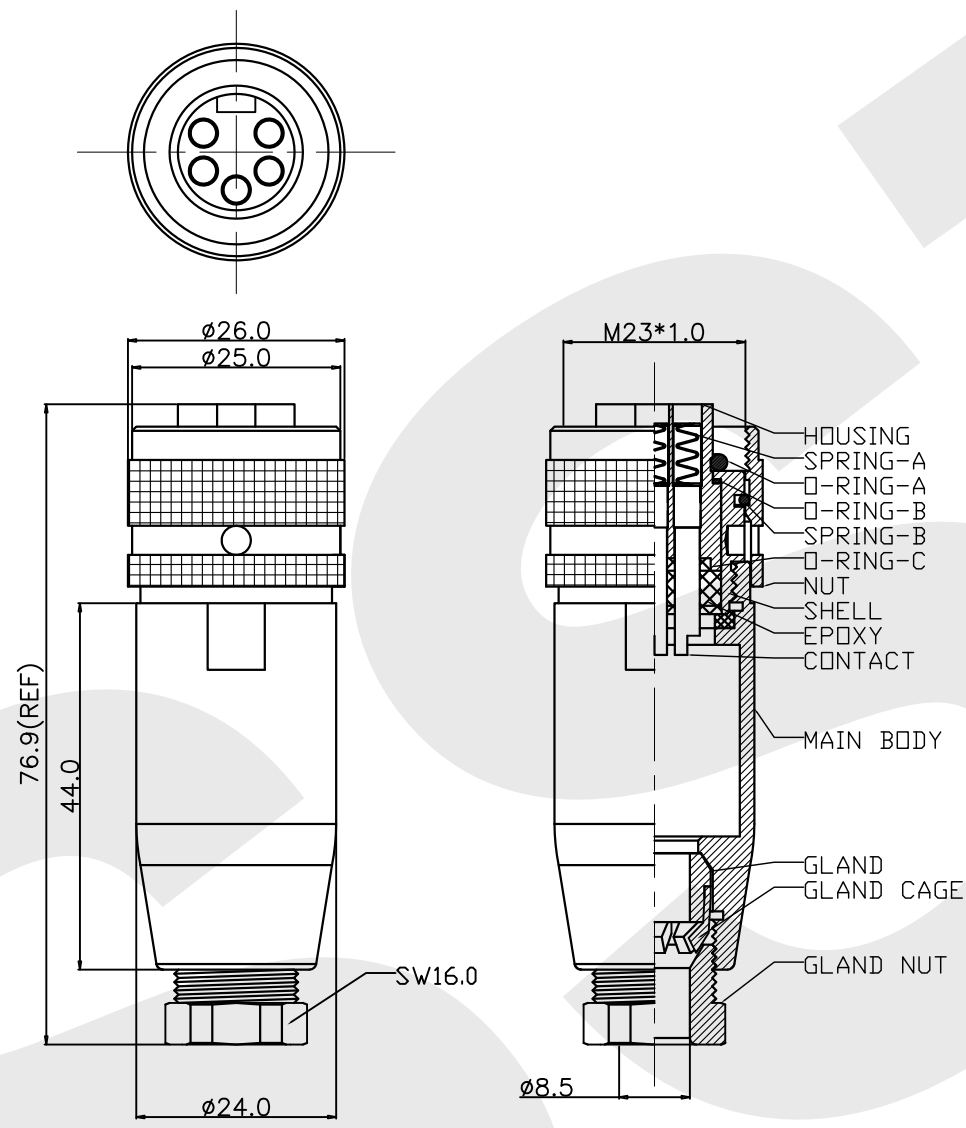


- 1. MATERIAL :**
- 1-1. HOUSING : PBT UL94V-0 ; COLOR : BLACK.
  - 1-2. SPRING-A : PHOSPHOR BRONZE.
  - 1-3. O-RING-A : EPDM ; COLOR : BLACK.
  - 1-4. O-RING-B : SILICONE ; COLOR : BLACK.
  - 1-5. SPRING-B : STAINLESS STEEL.
  - 1-6. O-RING-C : SILICONE ; COLOR : BLACK.
  - 1-7. NUT : BRASS.
  - 1-8. SHELL : BRASS.
  - 1-9. Epoxy Base : EF400A&EF400B. COLOR : BLACK.
  - 1-10. CONTACT : BRASS.
  - 1-11. MAIN BODY : ALUMINUM ALLOY.
  - 1-12. GLAND : SILICONE COLOR : BLACK.
  - 1-13. GLAND CAGE : POM ; COLOR : WHITE.
  - 1-14. GLAND NUT : ALUMINUM ALLOY.
- 2. FINISH :**
- 2-1. SPRING-A : MATTE TIN.
  - 2-2. NUT : SATING NICKEL PLATED OVER ALL
  - 2-3. SHELL : SATING NICKEL PLATED OVER ALL
  - 2-4. CONTACT : 30 MICRO INCHES MIN. GOLD PLATED.
  - 2-5. MAIN BODY : SATING NICKEL PLATED OVER ALL
  - 2-6. GLAND NUT : SATING NICKEL PLATED OVER ALL
- 3. ELECTRICAL SPECIFICATION :**
- 3-1. Rated current : 20A
  - 3-2. Rated oltage : 250V
  - 3-3. Water proof: IP67
- 4. Environmental :**
- 4-1. Operation Temperature : -40°C~85°C

**SST SOUTH SEA TERMINAL CO.,LTD**

SGS Report No.:	Customer:		Part No.:	
			23F5P-W-A-M-2-GF-B-SN-A	
Title:M23 FEMALE ASSEMBLING SOLDER TYPE for CABLE				
Drawn By:Storm.Li	SCALE	SHEET	REV.	DWG NO.:
Checked By:du	1:1	1/1	A	/
Approved By:Tony	Thire angle Projection		Units	TOLERANCE:
	General Dimesion Tolerance			

Rev	Revisions	Rev.Drawn	Date
A		Du	25/11/11"

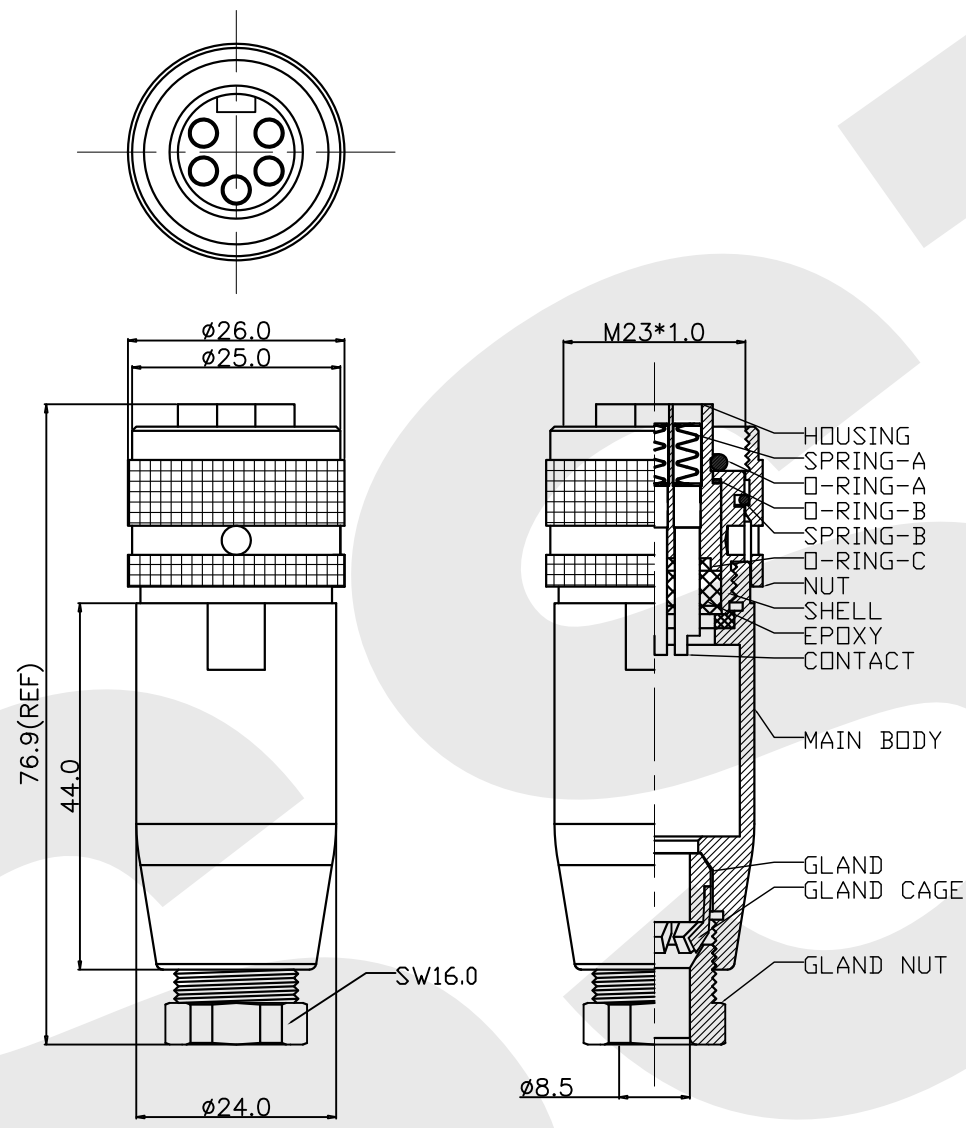


- 1. MATERIAL :**
- 1-1. HOUSING : PBT UL94V-0 ; COLOR : BLACK.
  - 1-2. SPRING-A : PHOSPHOR BRONZE.
  - 1-3. O-RING-A : EPDM ; COLOR : BLACK.
  - 1-4. O-RING-B : SILICONE ; COLOR : BLACK.
  - 1-5. SPRING-B : STAINLESS STEEL.
  - 1-6. O-RING-C : SILICONE ; COLOR : BLACK.
  - 1-7. NUT : BRASS.
  - 1-8. SHELL : BRASS.
  - 1-9. Epoxy Base : EF400A&EF400B. COLOR : BLACK.
  - 1-10. CONTACT : BRASS.
  - 1-11. MAIN BODY : ALUMINUM ALLOY.
  - 1-12. GLAND : SILICONE COLOR : BLACK.
  - 1-13. GLAND CAGE : POM ; COLOR : WHITE.
  - 1-14. GLAND NUT : ALUMINUM ALLOY.
- 2. FINISH :**
- 2-1. SPRING-A : MATTE TIN.
  - 2-2. NUT : SATING NICKEL PLATED OVER ALL
  - 2-3. SHELL : SATING NICKEL PLATED OVER ALL
  - 2-4. CONTACT : 30 MICRO INCHES MIN. GOLD PLATED.
  - 2-5. MAIN BODY : SATING NICKEL PLATED OVER ALL
  - 2-6. GLAND NUT : SATING NICKEL PLATED OVER ALL
- 3. ELECTRICAL SPECIFICATION :**
- 3-1. Rated current : 20A
  - 3-2. Rated oltage : 250V
  - 3-3. Water proof: IP67
- 4. Environmental :**
- 4-1. Operation Temperature : -40°C~85°C

**SST SOUTH SEA TERMINAL CO.,LTD**

SGS Report No.:	Customer:		Part No.:	
			23F5P-W-A-M-2-GF-B-SN-A	
Title:M23 FEMALE ASSEMBLING SOLDER TYPE for CABLE				
Drawn By:Storm.Li	SCALE	SHEET	REV.	DWG NO.:
Checked By:du	1:1	1/1	A	/
Approved By:Tony	Thire angle Projection		Units	TOLERANCE:
	General Dimesion Tolerance			
				.x ±0.25 .xx ±0.10 .xxx ±0.05 .xxxx ±0.03 ANGULA ±1°

Rev	Revisions	Rev.Drawn	Date
A		Du	25/11/11"

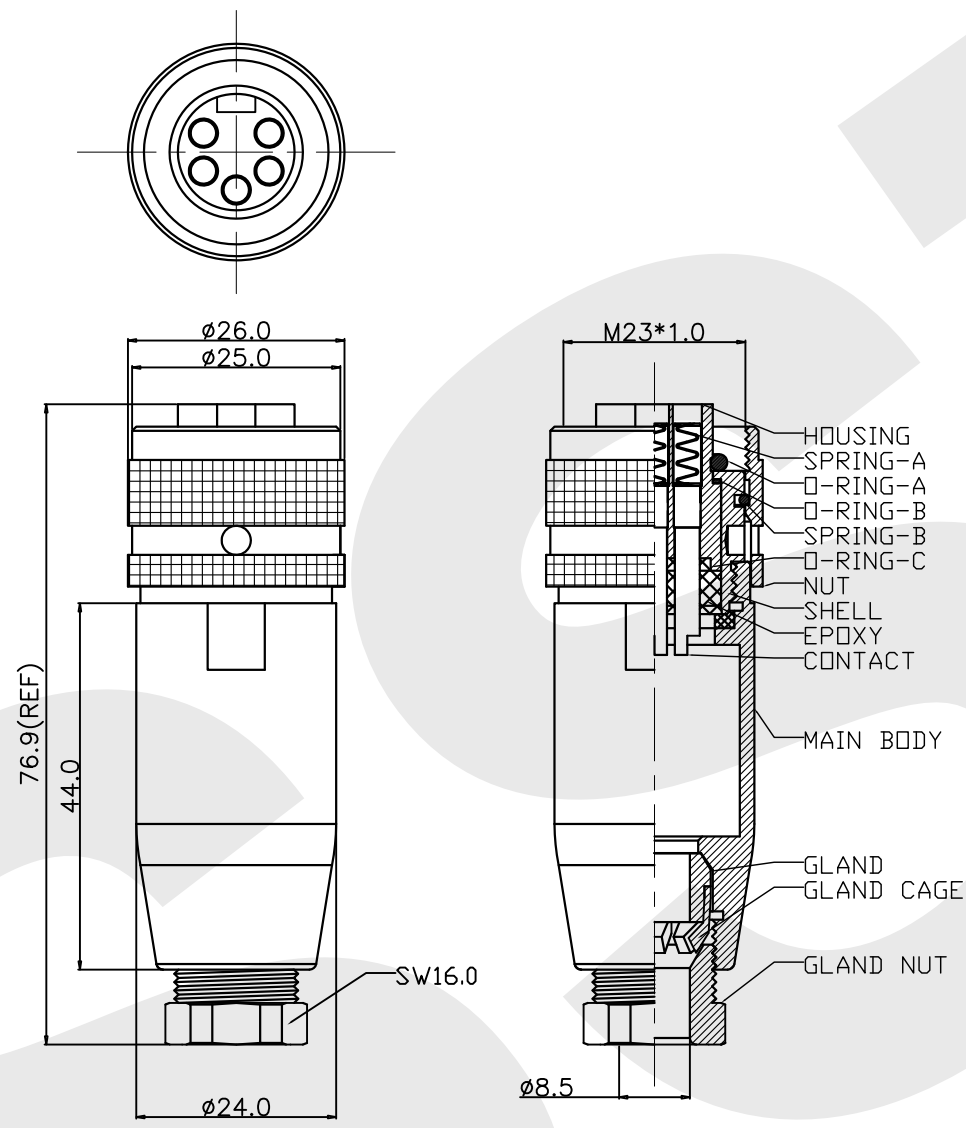


- 1. MATERIAL :**
- 1-1. HOUSING : PBT UL94V-0 ; COLOR : BLACK.
  - 1-2. SPRING-A : PHOSPHOR BRONZE.
  - 1-3. O-RING-A : EPDM ; COLOR : BLACK.
  - 1-4. O-RING-B : SILICONE ; COLOR : BLACK.
  - 1-5. SPRING-B : STAINLESS STEEL.
  - 1-6. O-RING-C : SILICONE ; COLOR : BLACK.
  - 1-7. NUT : BRASS.
  - 1-8. SHELL : BRASS.
  - 1-9. Epoxy Base : EF400A&EF400B. COLOR : BLACK.
  - 1-10. CONTACT : BRASS.
  - 1-11. MAIN BODY : ALUMINUM ALLOY.
  - 1-12. GLAND : SILICONE COLOR : BLACK.
  - 1-13. GLAND CAGE : POM ; COLOR : WHITE.
  - 1-14. GLAND NUT : ALUMINUM ALLOY.
- 2. FINISH :**
- 2-1. SPRING-A : MATTE TIN.
  - 2-2. NUT : SATING NICKEL PLATED OVER ALL
  - 2-3. SHELL : SATING NICKEL PLATED OVER ALL
  - 2-4. CONTACT : 30 MICRO INCHES MIN. GOLD PLATED.
  - 2-5. MAIN BODY : SATING NICKEL PLATED OVER ALL
  - 2-6. GLAND NUT : SATING NICKEL PLATED OVER ALL
- 3. ELECTRICAL SPECIFICATION :**
- 3-1. Rated current : 20A
  - 3-2. Rated oltage : 250V
  - 3-3. Water proof: IP67
- 4. Environmental :**
- 4-1. Operation Temperature : -40°C~85°C

**SST SOUTH SEA TERMINAL CO.,LTD**

SGS Report No.:	Customer:	Part No.:			
	23F5P-W-A-M-2-GF-B-SN-A				
Title:M23 FEMALE ASSEMBLING SOLDER TYPE for CABLE					
Drawn By:Storm.Li	SCALE	SHEET	REV.	DWG NO.:	TOLERANCE:
Checked By:du	1:1	1/1	A	/	.x ±0.25
Approved By:Tony	Thire angle Projection			Units	.xx ±0.10
	General Dimesion Tolerance				mm
					.xxxx ±0.03
					ANGULA ±1°

Rev	Revisions	Rev.Drawn	Date
A		Du	25/11/11"

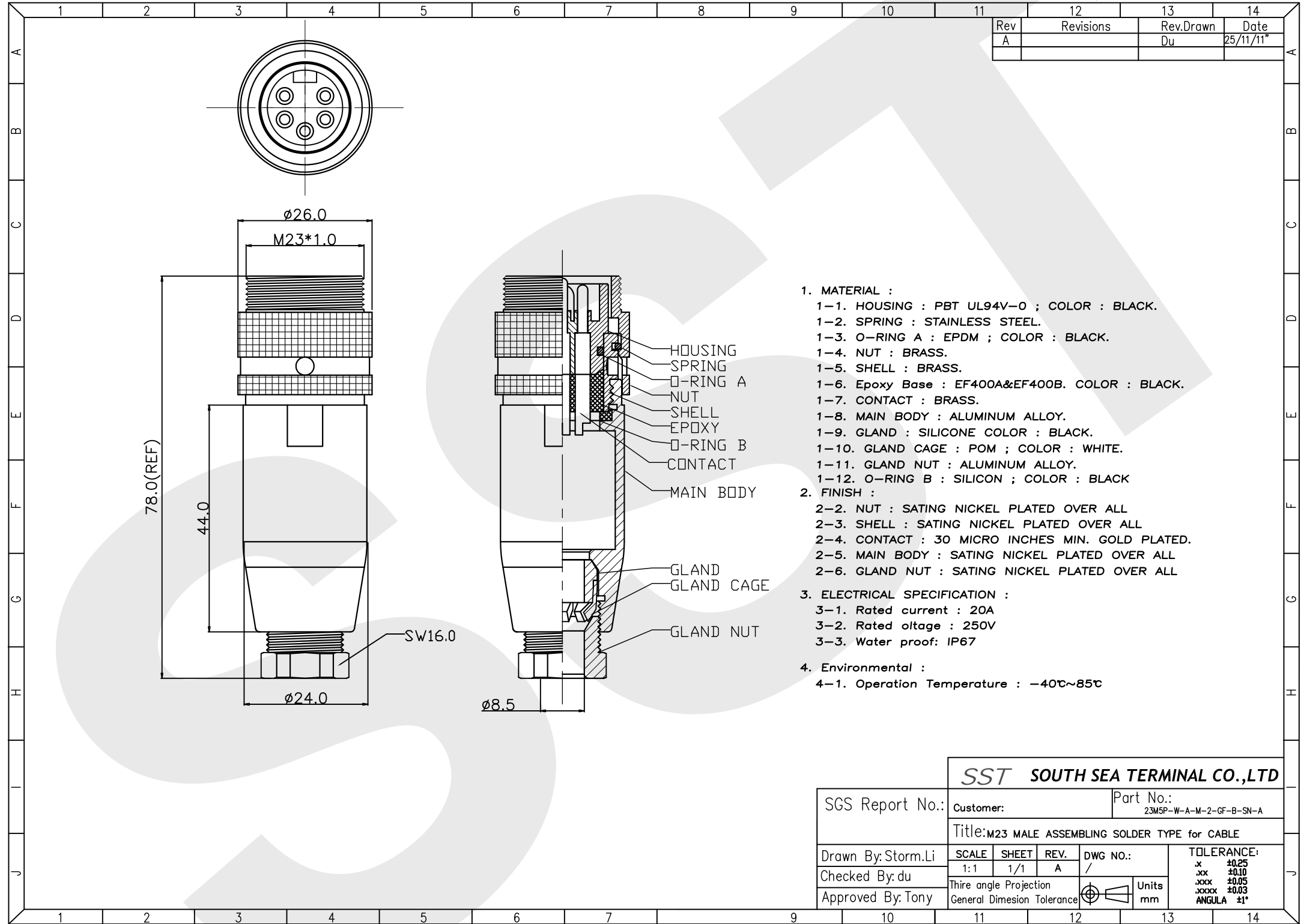


- 1. MATERIAL :**
- 1-1. HOUSING : PBT UL94V-0 ; COLOR : BLACK.
  - 1-2. SPRING-A : PHOSPHOR BRONZE.
  - 1-3. O-RING-A : EPDM ; COLOR : BLACK.
  - 1-4. O-RING-B : SILICONE ; COLOR : BLACK.
  - 1-5. SPRING-B : STAINLESS STEEL.
  - 1-6. O-RING-C : SILICONE ; COLOR : BLACK.
  - 1-7. NUT : BRASS.
  - 1-8. SHELL : BRASS.
  - 1-9. Epoxy Base : EF400A&EF400B. COLOR : BLACK.
  - 1-10. CONTACT : BRASS.
  - 1-11. MAIN BODY : ALUMINUM ALLOY.
  - 1-12. GLAND : SILICONE COLOR : BLACK.
  - 1-13. GLAND CAGE : POM ; COLOR : WHITE.
  - 1-14. GLAND NUT : ALUMINUM ALLOY.
- 2. FINISH :**
- 2-1. SPRING-A : MATTE TIN.
  - 2-2. NUT : SATING NICKEL PLATED OVER ALL
  - 2-3. SHELL : SATING NICKEL PLATED OVER ALL
  - 2-4. CONTACT : 30 MICRO INCHES MIN. GOLD PLATED.
  - 2-5. MAIN BODY : SATING NICKEL PLATED OVER ALL
  - 2-6. GLAND NUT : SATING NICKEL PLATED OVER ALL
- 3. ELECTRICAL SPECIFICATION :**
- 3-1. Rated current : 20A
  - 3-2. Rated oltage : 250V
  - 3-3. Water proof: IP67
- 4. Environmental :**
- 4-1. Operation Temperature : -40°C~85°C

**SST SOUTH SEA TERMINAL CO.,LTD**

SGS Report No.:	Customer:	Part No.:			
	23F5P-W-A-M-2-GF-B-SN-A				
Title:M23 FEMALE ASSEMBLING SOLDER TYPE for CABLE					
Drawn By:Storm.Li	SCALE	SHEET	REV.	DWG NO.:	TOLERANCE:
Checked By:du	1:1	1/1	A	/	.x ±0.25
Approved By:Tony	Thire angle Projection			Units	.xx ±0.10
	General Dimesion Tolerance				.xxx ±0.05
				mm	.xxxx ±0.03
					ANGULA ±1°





Rev	Revisions	Rev.Drawn	Date
A		Du	25/11/11"

**1. MATERIAL :**

- 1-1. HOUSING : PBT UL94V-0 ; COLOR : BLACK.
- 1-2. SPRING : STAINLESS STEEL.
- 1-3. O-RING A : EPDM ; COLOR : BLACK.
- 1-4. NUT : BRASS.
- 1-5. SHELL : BRASS.
- 1-6. Epoxy Base : EF400A&EF400B. COLOR : BLACK.
- 1-7. CONTACT : BRASS.
- 1-8. MAIN BODY : ALUMINUM ALLOY.
- 1-9. GLAND : SILICONE COLOR : BLACK.
- 1-10. GLAND CAGE : POM ; COLOR : WHITE.
- 1-11. GLAND NUT : ALUMINUM ALLOY.
- 1-12. O-RING B : SILICON ; COLOR : BLACK

**2. FINISH :**

- 2-2. NUT : SATING NICKEL PLATED OVER ALL
- 2-3. SHELL : SATING NICKEL PLATED OVER ALL
- 2-4. CONTACT : 30 MICRO INCHES MIN. GOLD PLATED.
- 2-5. MAIN BODY : SATING NICKEL PLATED OVER ALL
- 2-6. GLAND NUT : SATING NICKEL PLATED OVER ALL

**3. ELECTRICAL SPECIFICATION :**

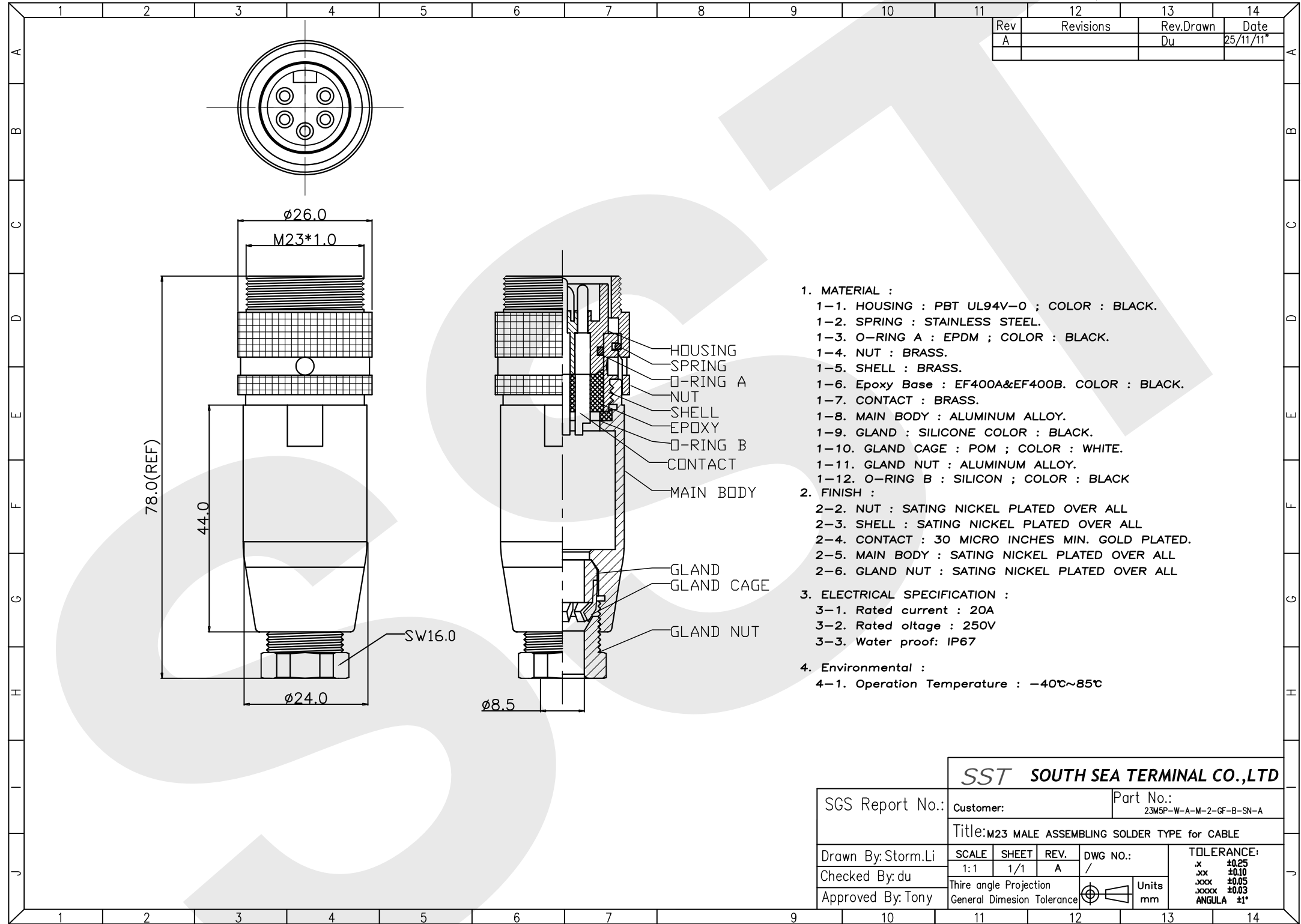
- 3-1. Rated current : 20A
- 3-2. Rated oltage : 250V
- 3-3. Water proof: IP67

**4. Environmental :**

- 4-1. Operation Temperature : -40°C~85°C

**SST SOUTH SEA TERMINAL CO.,LTD**

SGS Report No.:	Customer:	Part No.:	23M5P-W-A-M-2-GF-B-SN-A		
	Title:M23 MALE ASSEMBLING SOLDER TYPE for CABLE				
Drawn By:Storm.Li	SCALE	SHEET	REV.	DWG NO.:	TOLERANCE: x ±0.25 .xx ±0.10 .xxx ±0.05 .xxxx ±0.03 ANGULA ±1°
Checked By:du	1:1	1/1	A	/	
Approved By:Tony	Thire angle Projection General Dimesion Tolerance			Units mm	



Rev	Revisions	Rev.Drawn	Date
A		Du	25/11/11"

**1. MATERIAL :**

- 1-1. HOUSING : PBT UL94V-0 ; COLOR : BLACK.
- 1-2. SPRING : STAINLESS STEEL.
- 1-3. O-RING A : EPDM ; COLOR : BLACK.
- 1-4. NUT : BRASS.
- 1-5. SHELL : BRASS.
- 1-6. Epoxy Base : EF400A&EF400B. COLOR : BLACK.
- 1-7. CONTACT : BRASS.
- 1-8. MAIN BODY : ALUMINUM ALLOY.
- 1-9. GLAND : SILICONE COLOR : BLACK.
- 1-10. GLAND CAGE : POM ; COLOR : WHITE.
- 1-11. GLAND NUT : ALUMINUM ALLOY.
- 1-12. O-RING B : SILICON ; COLOR : BLACK

**2. FINISH :**

- 2-2. NUT : SATING NICKEL PLATED OVER ALL
- 2-3. SHELL : SATING NICKEL PLATED OVER ALL
- 2-4. CONTACT : 30 MICRO INCHES MIN. GOLD PLATED.
- 2-5. MAIN BODY : SATING NICKEL PLATED OVER ALL
- 2-6. GLAND NUT : SATING NICKEL PLATED OVER ALL

**3. ELECTRICAL SPECIFICATION :**

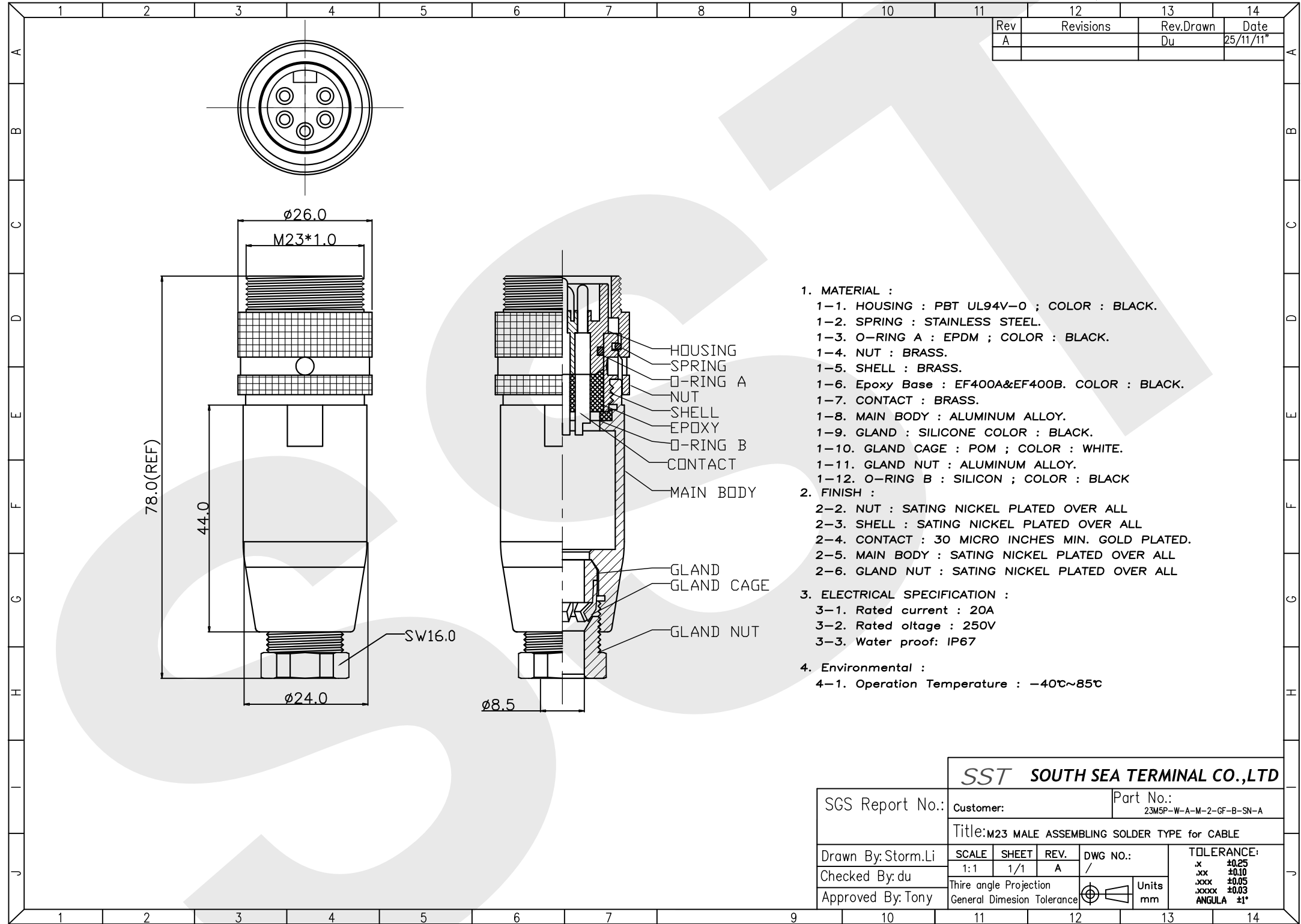
- 3-1. Rated current : 20A
- 3-2. Rated oltage : 250V
- 3-3. Water proof: IP67

**4. Environmental :**

- 4-1. Operation Temperature : -40°C~85°C

**SST SOUTH SEA TERMINAL CO.,LTD**

SGS Report No.:	Customer:	Part No.:			
	23M5P-W-A-M-2-GF-B-SN-A				
Title:M23 MALE ASSEMBLING SOLDER TYPE for CABLE					
Drawn By:Storm.Li	SCALE	SHEET	REV.	DWG NO.:	TOLERANCE:
Checked By:du	1:1	1/1	A	/	
Approved By:Tony	Thire angle Projection			Units	mm
General Dimesion Tolerance			ANGULA ±1°		



Rev	Revisions	Rev.Drawn	Date
A		Du	25/11/11"

**1. MATERIAL :**

- 1-1. HOUSING : PBT UL94V-0 ; COLOR : BLACK.
- 1-2. SPRING : STAINLESS STEEL.
- 1-3. O-RING A : EPDM ; COLOR : BLACK.
- 1-4. NUT : BRASS.
- 1-5. SHELL : BRASS.
- 1-6. Epoxy Base : EF400A&EF400B. COLOR : BLACK.
- 1-7. CONTACT : BRASS.
- 1-8. MAIN BODY : ALUMINUM ALLOY.
- 1-9. GLAND : SILICONE COLOR : BLACK.
- 1-10. GLAND CAGE : POM ; COLOR : WHITE.
- 1-11. GLAND NUT : ALUMINUM ALLOY.
- 1-12. O-RING B : SILICON ; COLOR : BLACK

**2. FINISH :**

- 2-2. NUT : SATING NICKEL PLATED OVER ALL
- 2-3. SHELL : SATING NICKEL PLATED OVER ALL
- 2-4. CONTACT : 30 MICRO INCHES MIN. GOLD PLATED.
- 2-5. MAIN BODY : SATING NICKEL PLATED OVER ALL
- 2-6. GLAND NUT : SATING NICKEL PLATED OVER ALL

**3. ELECTRICAL SPECIFICATION :**

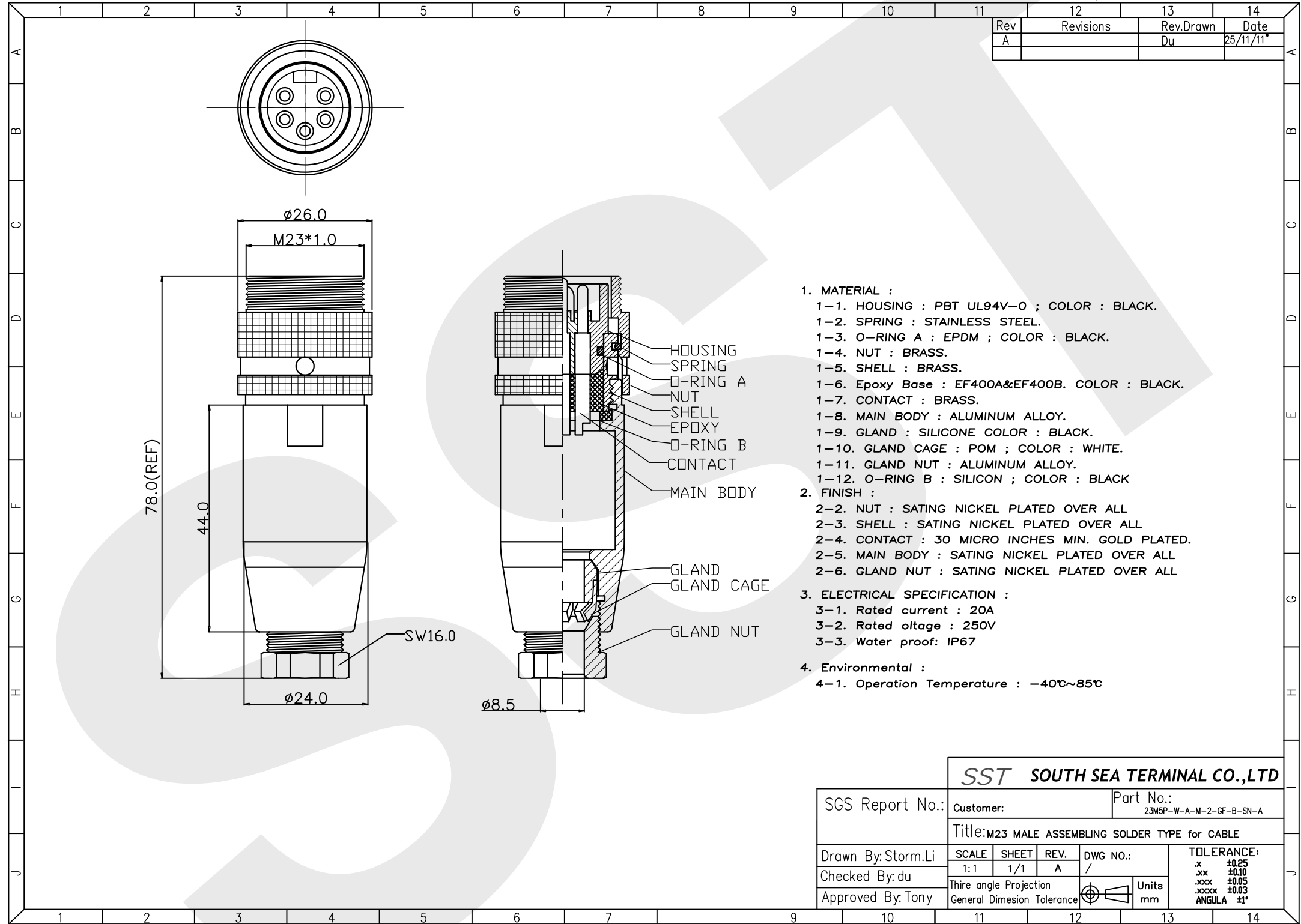
- 3-1. Rated current : 20A
- 3-2. Rated oltage : 250V
- 3-3. Water proof: IP67

**4. Environmental :**

- 4-1. Operation Temperature : -40°C~85°C

**SST SOUTH SEA TERMINAL CO.,LTD**

SGS Report No.:	Customer:	Part No.:
	23M5P-W-A-M-2-GF-B-SN-A	
Title:M23 MALE ASSEMBLING SOLDER TYPE for CABLE		
Drawn By:Storm.Li	SCALE	SHEET
Checked By:du	1:1	1/1
Approved By:Tony	REV.	DWG NO.:
	A	/
Three angle Projection		Units
General Dimesion Tolerance		
		mm
		TOLERANCE:
		x ±0.25
		.xx ±0.10
		.xxx ±0.05
		.xxxx ±0.03
		ANGULA ±1°



Rev	Revisions	Rev.Drawn	Date
A		Du	25/11/11"

**1. MATERIAL :**

- 1-1. HOUSING : PBT UL94V-0 ; COLOR : BLACK.
- 1-2. SPRING : STAINLESS STEEL.
- 1-3. O-RING A : EPDM ; COLOR : BLACK.
- 1-4. NUT : BRASS.
- 1-5. SHELL : BRASS.
- 1-6. Epoxy Base : EF400A&EF400B. COLOR : BLACK.
- 1-7. CONTACT : BRASS.
- 1-8. MAIN BODY : ALUMINUM ALLOY.
- 1-9. GLAND : SILICONE COLOR : BLACK.
- 1-10. GLAND CAGE : POM ; COLOR : WHITE.
- 1-11. GLAND NUT : ALUMINUM ALLOY.
- 1-12. O-RING B : SILICON ; COLOR : BLACK

**2. FINISH :**

- 2-2. NUT : SATING NICKEL PLATED OVER ALL
- 2-3. SHELL : SATING NICKEL PLATED OVER ALL
- 2-4. CONTACT : 30 MICRO INCHES MIN. GOLD PLATED.
- 2-5. MAIN BODY : SATING NICKEL PLATED OVER ALL
- 2-6. GLAND NUT : SATING NICKEL PLATED OVER ALL

**3. ELECTRICAL SPECIFICATION :**

- 3-1. Rated current : 20A
- 3-2. Rated oltage : 250V
- 3-3. Water proof: IP67

**4. Environmental :**

- 4-1. Operation Temperature : -40°C~85°C

**SST SOUTH SEA TERMINAL CO.,LTD**

SGS Report No.:	Customer:	Part No.:			
	23M5P-W-A-M-2-GF-B-SN-A				
Title:M23 MALE ASSEMBLING SOLDER TYPE for CABLE					
Drawn By:Storm.Li	SCALE	SHEET	REV.	DWG NO.:	TOLERANCE:
Checked By:du	1:1	1/1	A	/	
Approved By:Tony	Thire angle Projection			Units	mm
General Dimesion Tolerance			ANGULA ±1°		