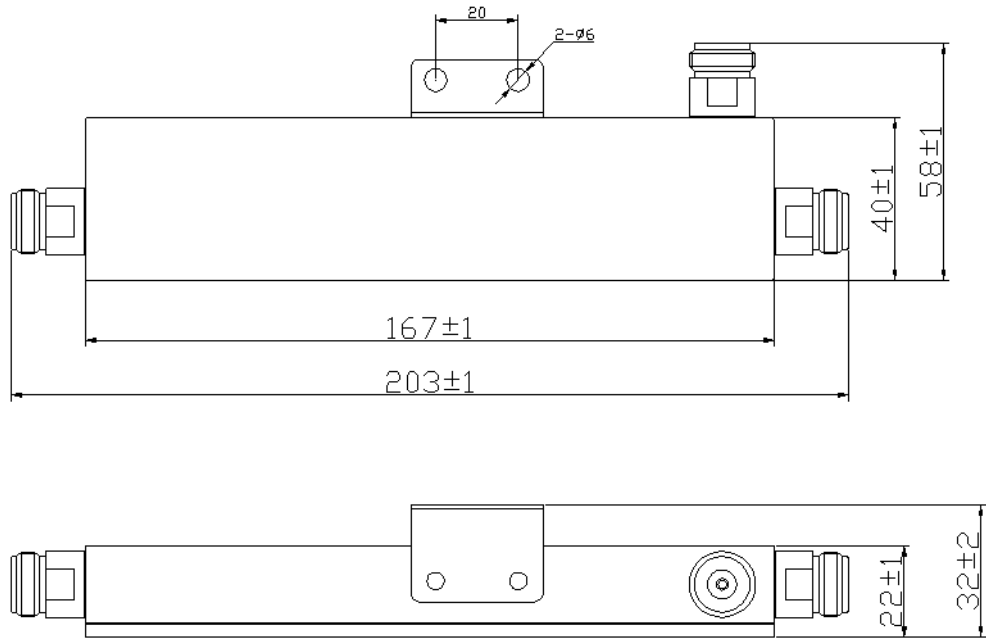
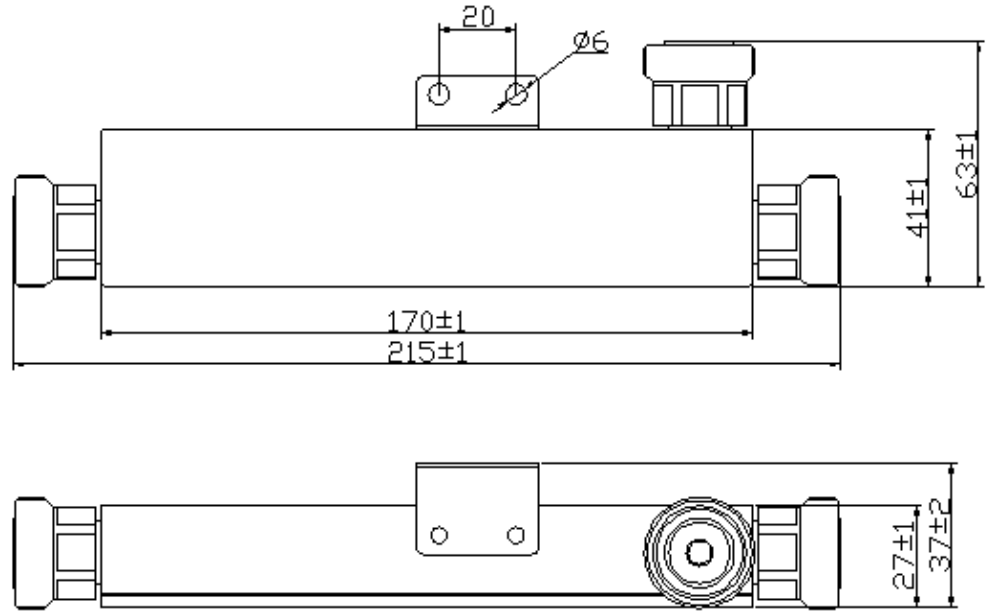


Directional Coupler Specification

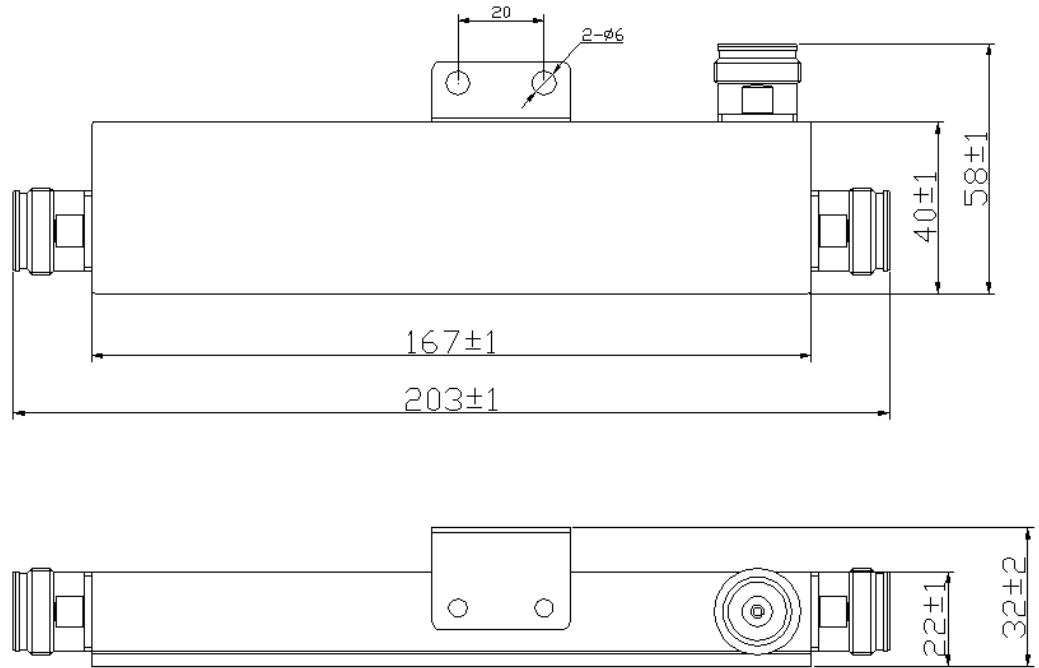
	6dB	10dB	15dB	20dB	30dB
PN	C6-327-NF C6-327-DF C6-327-MF	C10-327-NF C10-327-DF C10-327-MF	C15-327-NF C15-327-DF C15-327-MF	C20-327-NF C20-327-DF C20-327-MF	C30-327-NF C30-327-DF C30-327-MF
Frequency	380– 2700	380– 2700	380– 2700	380– 2700	380– 2700
Coupling	6±1.0 dB	10±1.2 dB	15±1.2 dB	20±1.2 dB	30±1.5 dB
Insertion Loss	1.8 dB	0.8 dB	0.5 dB	0.3dB	0.3 dB
Isolation	26 dB	30 dB	35 dB	40 dB	50 dB
3rd Order IMD <small>2X43dBm</small>	- 162dBc	- 162dBc	- 162dBc	- 162dBc	- 162dBc
Average Power	200 W	200 W	200 W	200 W	200 W
Peak Power	1000 W	1000 W	1000 W	1000 W	1000 W
Impedance	50 ohm				
Return Loss	19 dB				
VSWR	1.25:1				
Environment	IP65				
Work temp	-25-65°C				
Connector	N(f), DIN(f), 4.3/10(f)				



N Type



DIN Type



4.3/10 Type