

Directional Coupler Specification

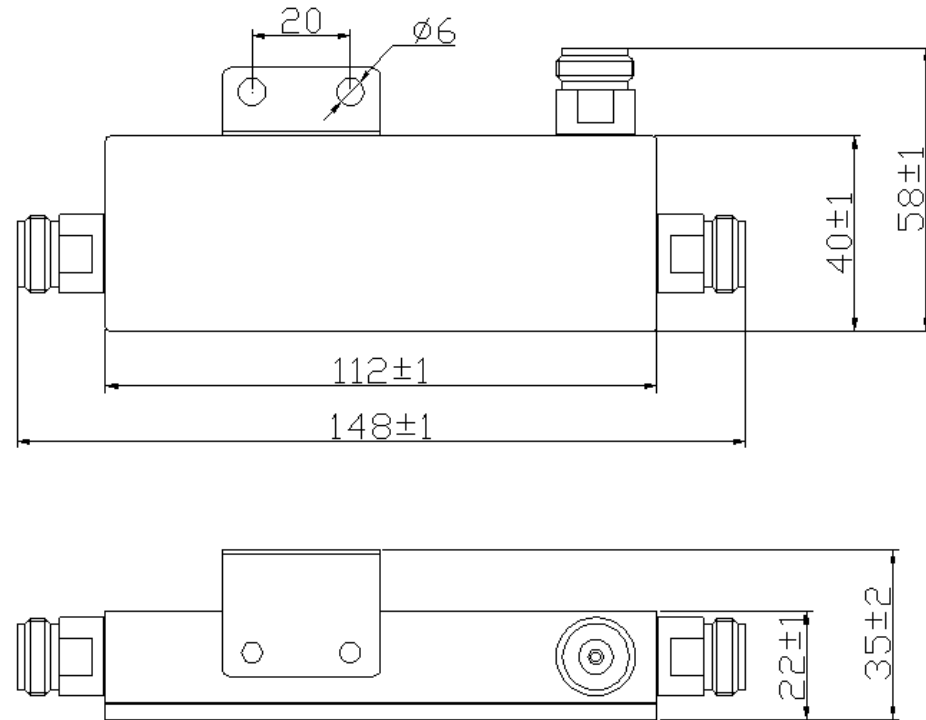
	5dB	6dB	8dB	10dB
PN	C5-727-NF C5-727-DF C5-727-MF	C6-727-NF C6-727-DF C6-727-MF	C8-727-NF C8-727-DF C8-727-MF	C10-727-NF C10-727-DF C10-727-MF
Frequency	698-2700MHz	698-2700MHz	698-2700MHz	698-2700MHz
Coupling	5±1 dB 698– 2700MHz	6±1dB698– 2700MH	8±1.0 dB698-2700MHz	10±1.0 dB698-2700MHz
Insertion Loss	2.0 dB	1.7 dB	1.1 dB	0.7 dB
Isolation	25 dB	26 dB	28 dB	30 dB
3rd Order IMD 2X43dBm	- 162dBc	- 162dBc	- 162dBc	- 162dBc
Return Loss	20.8 dB@	20.8 dB	20.8 dB	20.8 dB
Average Power	150 W	200 W	200 W	200 W
Peak Power	1000 W	1000 W	1000 W	1500 W
Impedance	50 ohm			
Environment	IP65			
Work temp	-40-75°C			
Connector	N(f), 4.3/10(f)			

	13dB	15dB	20dB	30dB
PN	C13-727-NF C13-727-DF	C15-727-NF C15-727-DF	C20-727-NF C20-727-DF	C30-727-NF C30-727-DF

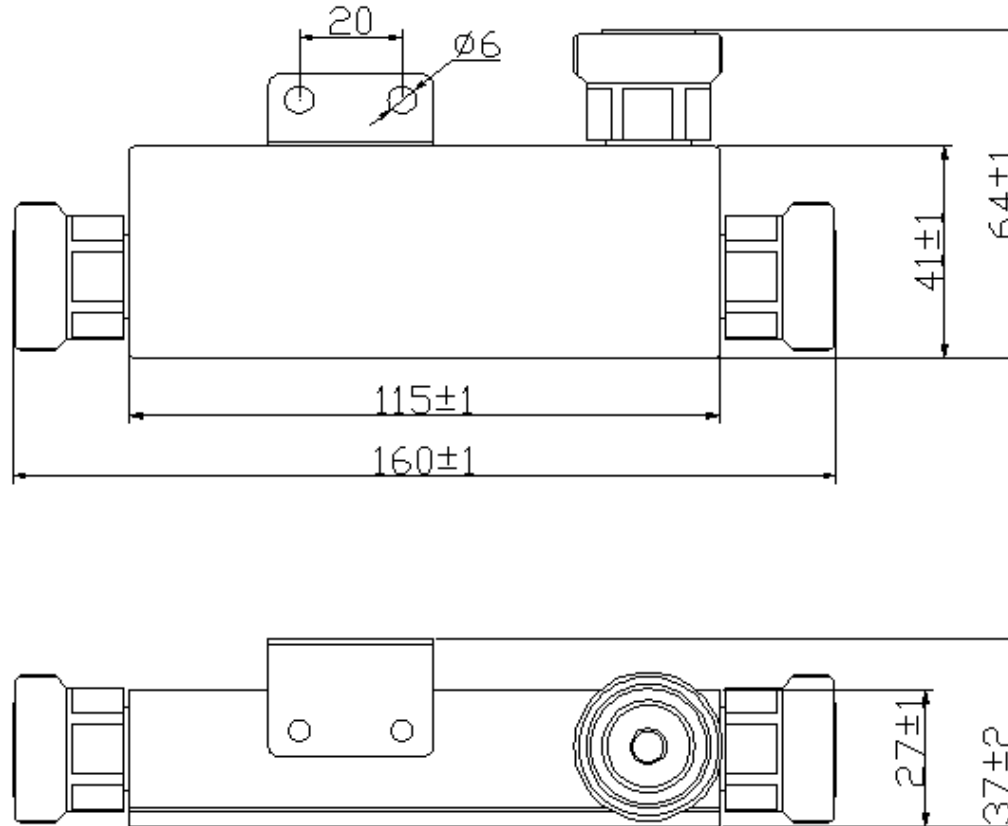


	C13-727-MF	C15-727-MF	C20-727-MF	C30-727-MF
Frequency	698-2700MHz	698-2700MHz	698-2700MHz	698-2700MHz
Coupling	13±1.0 dB@698-2700MHz	15±1.0 dB@698-2700MHz	20±1.0 dB@698-2700MHz	13±1.2 dB@698-2700MHz
Insertion Loss	0.5 dB	0.4 dB	0.2dB	0.2 dB
Isolation	33dB	35 dB	40dB	50dB
3rd Order IMD 2X43dBm	- 162dBc	- 162dBc	- 162dBc	- 162dBc
Return Loss	20.8 dB	20.8 dB	20.8 dB	20.8 dB
Average Power	300 W	300 W	300 W	300 W
Peak Power	1500 W	1500 W	2000 W	2000 W
Impedance	50 ohm			
Environment	IP65			
Work temp	-40-75°C			
Connector	N(f), DIN(f), 43./10(f)			

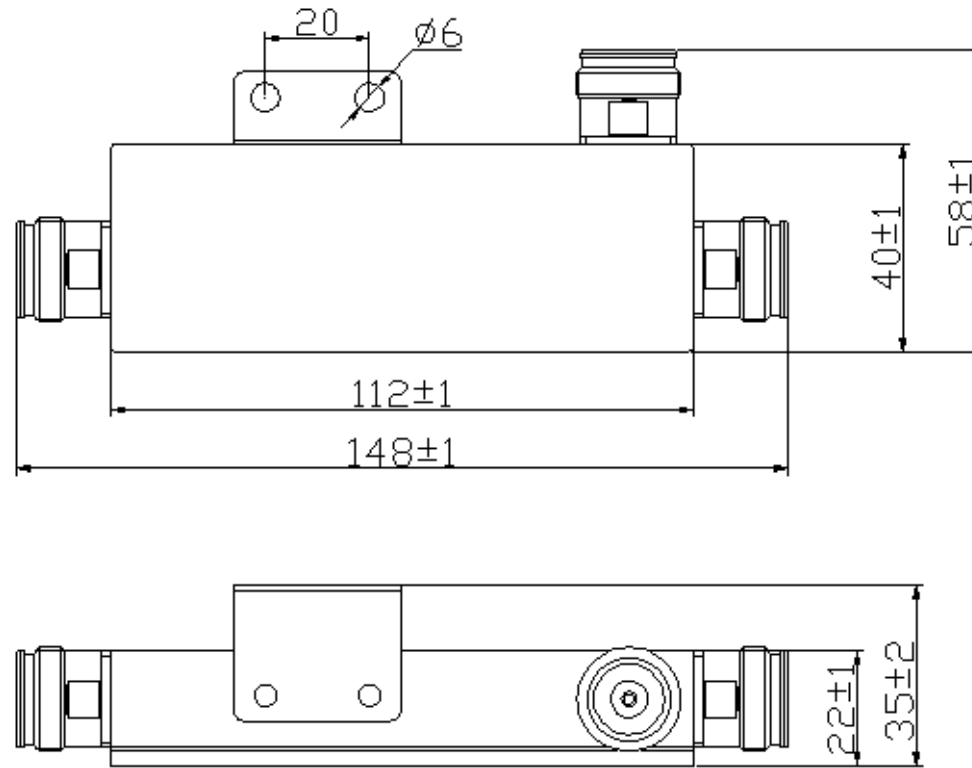




N Type



DIN Type



4.3/10 Type