

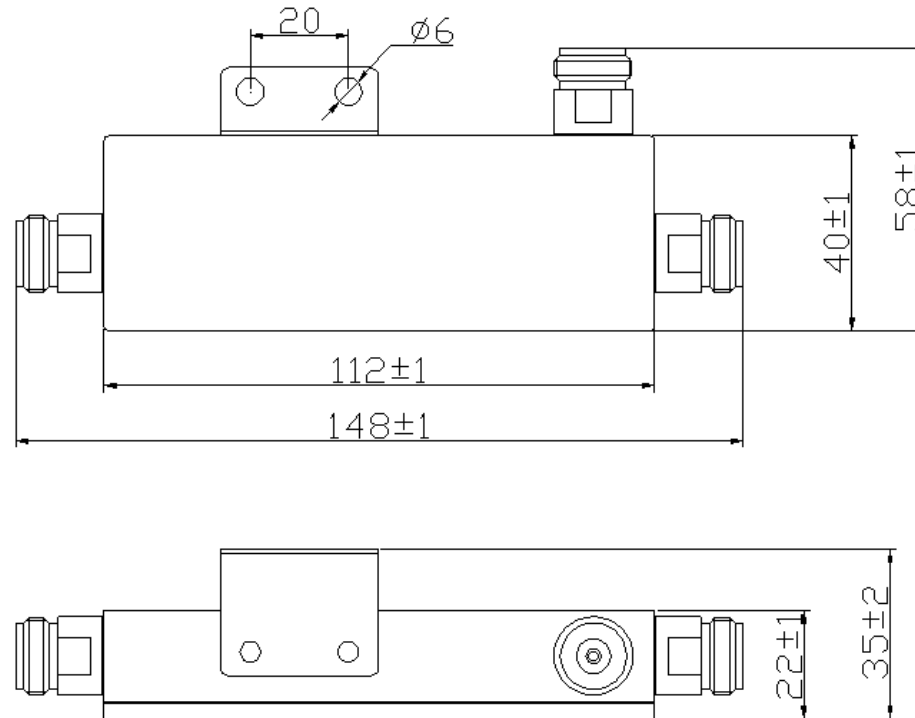
Directional Coupler Specification

	5dB	6dB	8dB	10dB
PN	C5-527-NF C5-527-DF C5-527-MF	C6-527-NF C6-527-DF C6-527-MF	C8-527-NF C8-527-DF C8-527-MF	C10-527-NF C10-527-DF C10-527-MF
Frequency	555-2700MHz	555-2700MHz	555-2700MHz	555-2700MHz
Coupling	5±2 dB 555– 698MHz 5±1 dB 698– 2700MHz	6±2dB555– 698MHz 6±1dB698– 2700MH	8±2dB555– 698MHz 8±1.0 dB698-2700MHz	10±2dB555– 698MHz 10±1.0 dB698-2700MHz
Insertion Loss	2.0 dB	1.7 dB	1.1 dB	0.7 dB
Isolation	25 dB	26 dB	28 dB	30 dB
3rd Order IMD 2X43dBm	- 162dBc	- 162dBc	- 162dBc	- 162dBc
Return Loss	20.8 dB@	20.8 dB	20.8 dB	20.8 dB
Average Power	150 W	200 W	200 W	200 W
Peak Power	1000 W	1000 W	1000 W	1500 W
Impedance	50 ohm			
Environment	IP65			
Work temp	-40-75°C			
Connector	N(f), 4.3/10(f)			

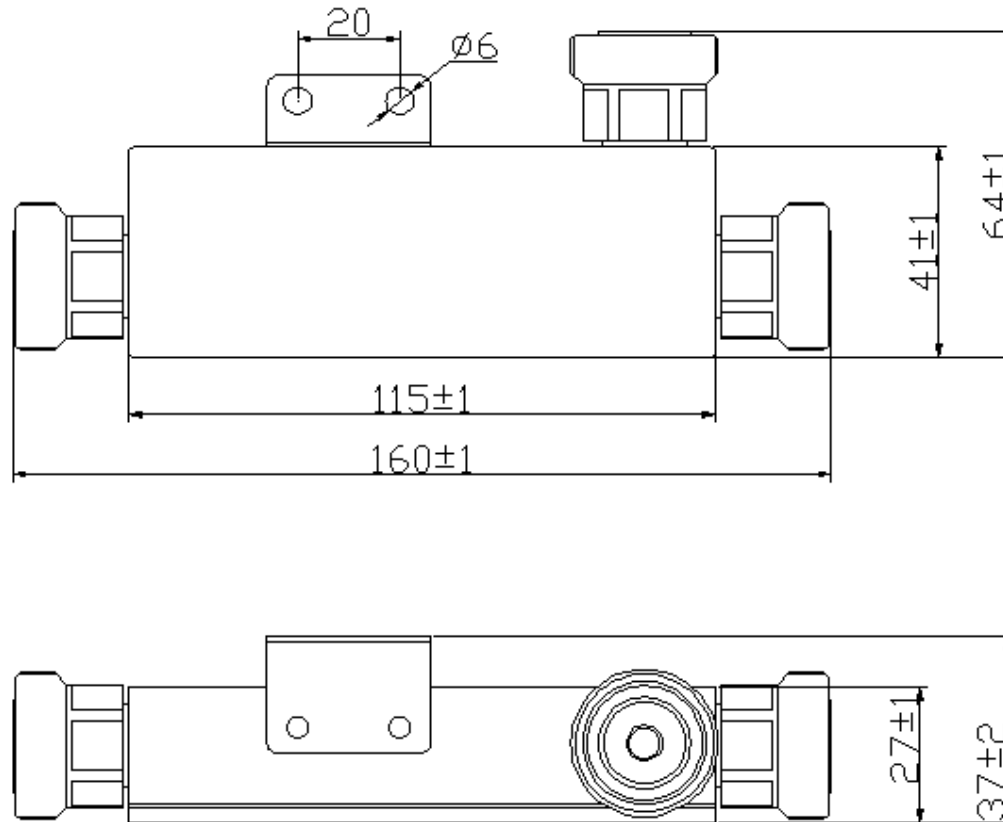


	13dB	15dB	20dB	30dB
PN	C13-527-NF C13-527-DF C13-527-MF	C15-527-NF C15-527-DF C15-527-MF	C20-527-NF C20-527-DF C20-527-MF	C30-527-NF C30-527-DF C30-527-MF
Frequency	555-2700MHz	555-2700MHz	555-2700MHz	555-2700MHz
Coupling	13±2.0 dB@555-698MHz 13±1.0 dB@698-2700MHz	15±2.0dB@555-698MHz 15±1.0 dB@698-2700MHz	20±2.0 dB@555-698MHz 20±1.0 dB@698-2700MHz	13±2.2dB@555-698MHz 13±1.2 dB@698-2700MHz
Insertion Loss	0.5 dB	0.4 dB	0.2dB	0.2 dB
Isolation	33dB	35 dB	40dB	50dB
3rd Order IMD 2X43dBm	- 162dBc	- 162dBc	- 162dBc	- 162dBc
Return Loss	20.8 dB	20.8 dB	20.8 dB	20.8 dB
Average Power	300 W	300 W	300 W	300 W
Peak Power	1500 W	1500 W	2000 W	2000 W
Impedance	50 ohm			
Environment	IP65			
Work temp	-40-75°C			
Connector	N(f), DIN(f), 43./10(f)			

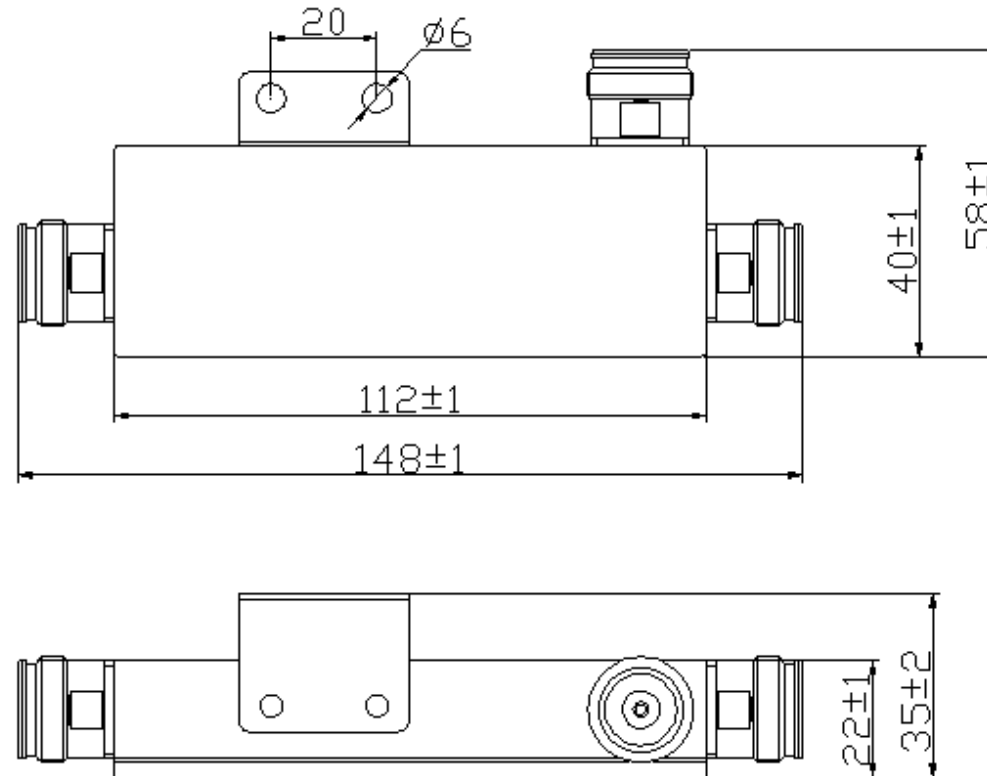




N Type



DIN Type



4.3/10 Type